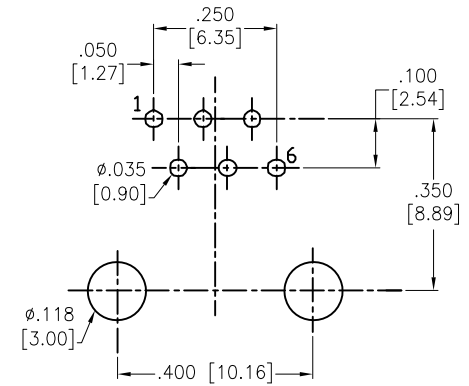
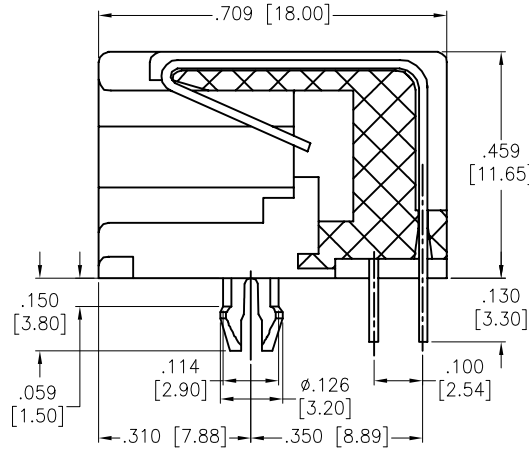
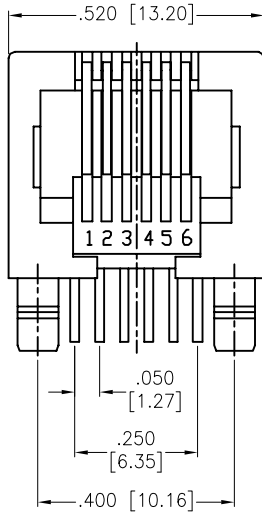
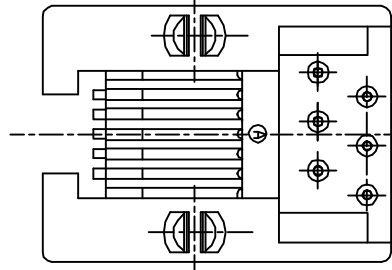


APPROVED: \_\_\_\_\_  
 DATE: \_\_\_\_\_ TITLE: \_\_\_\_\_

Rev	AWO #	Description	Date	Appr
-		RELEASED	10/4/04	
A		REVISED DIM.	2/05/10	
B		REDRAWN	06/08/12	
C		UPDATED SPEC.	6/20/18	HR/TW
D		CORRECTED DIM ON PCB LAYOUT	11/30/22	SS



RECOMMENDED PCB LAYOUT



**SPECIFICATIONS:**

Material:  
 Insulator: PBT, rated UL 94V-0  
 Insulator color: Black  
 Contacts: Phosphor Bronze  
 Plating:  
 Round contact  
 Gold over Nickel underplate overall  
 Flat contact  
 Gold over Nickel underplate on contact area,  
 Tin over Nickel underplate on solder tails  
 Electrical:  
 Voltage rating: 125 VAC max  
 Current rating: 1.5 Amps max  
 Contact resistance: 35 mohms max  
 Insulation resistance: 1,000 Mohms min @ 500 VDC  
 Dielectric withstanding voltage: 1,000 VAC for 1 minute  
 Temperature Rating:  
 Operating temperature: -40°C to +85°C  
 Environmental:  
 Lead free, RoHS compliant.



UNLESS OTHERWISE SPECIFIED ALL DIMENSIONS ARE INCHES [MM] TOLERANCES: EXCEPT AS NOTED			
INCHES		HOLES	
.X	± .10	Ø.X	± .10
.XX	± .020	Ø.XX	± .015
.XXX	± .015	Ø.XXX	± .010
APPROVALS		DATE	
DRAWN	SS	10/4/04	
CHECKED			
APPROVED			



TITLE  
 MODULAR TELEPHONE JACK, 6P6C  
 RIGHT ANGLE, PCB, COLOR BLACK

SIZE X	PART NO. MTJ-665X1	REV. D
REF: S00005C	SCALE: NTS	SHEET 1 OF 1