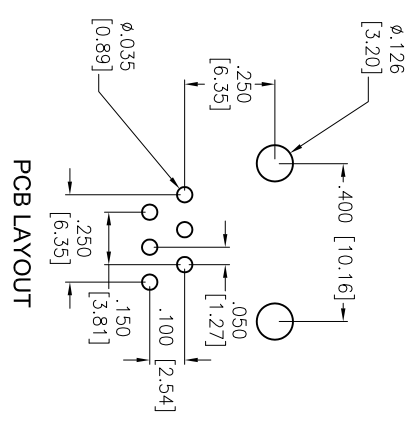
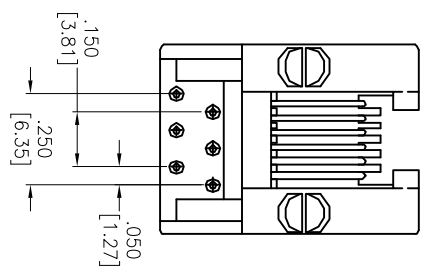
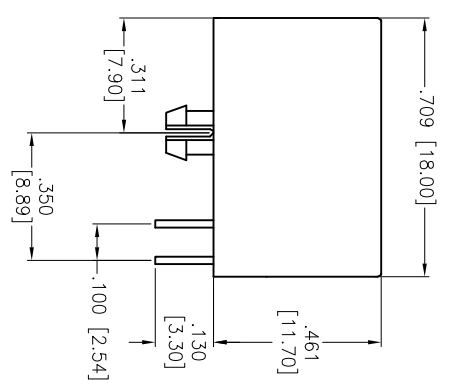
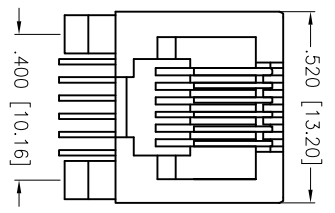


Rev	AWO #	Description	Date	Appr
-		RELEASED	2/05/10	

APPROVED: _____
 DATE: _____ TITLE: _____



X	PLATING
0	15 µin Gold
1	30 µin Gold
2	50 µin Gold

A **B** **C** **D**

SPECIFICATIONS:
Material:
 Insulator: Hi-temp thermoplastic, rated UL 94V-0
 Insulator color: Black
 Contacts: Phosphor Bronze
Plating:
 Gold over Nickel underplate on contact area,
 Tin over Copper underplate on PCB tails.
 (See chart for thickness)
Electrical:
 Operating voltage: 150 VAC max
 Current rating: 1.5 Amps max
 Contact resistance: 20 mohms max
 Insulation resistance: 500 Mohms min @ 500 VDC
 Dielectric withstanding voltage: 1000 VAC for 1 minute
Temperature Rating:
 Operating temperature: -40°C to +125°C
Environmental:
 Lead free, RoHS compliant.

A

UNLESS OTHERWISE SPECIFIED
 ALL DIMENSIONS ARE INCHES [MM]
 TOLERANCES: EXCEPT AS NOTED
 INCHES HOLEES
 .X ±.10 ØXX ±.10
 .XX ±.020 ØXXX ±.015
 .XXX ±.015 ØXXXX ±.010
 APPROVALS
 DRAWN DY 2/05/10
 CHECKED
 APPROVED

TITLE
 MODULAR TELEPHONE JACK, 6P6C
 RIGHT ANGLE, PCB, COLOR BLACK



6 **5** **4** **3** **2** **1**

Operating voltage: 150 VAC max
 Current rating: 1.5 Amps max
 Contact resistance: 20 mohms max
 Insulation resistance: 500 Mohms min @ 500 VDC
 Dielectric withstanding voltage: 1000 VAC for 1 minute
Temperature Rating:
 Operating temperature: -40°C to +125°C
Environmental:
 Lead free, RoHS compliant.



Rev	AWO #	Description	Date	Appr
-		RELEASED	2/05/10	

APPROVED		DATE	2/05/10
CHECKED		DATE	
DRAWN	DY	DATE	2/05/10

SIZE	PART NO.	REV.
X	MTJ-665X1-HT	

SCALE:	NTS	SHEET	1 OF 1
--------	-----	-------	--------