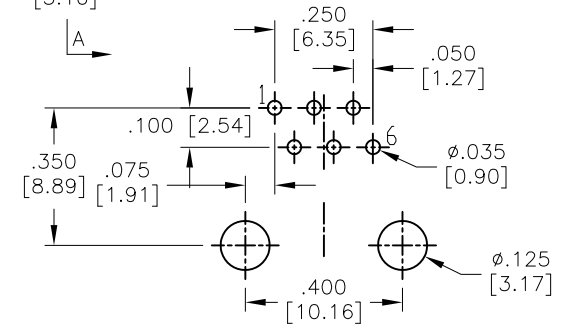
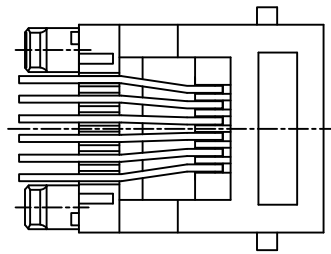
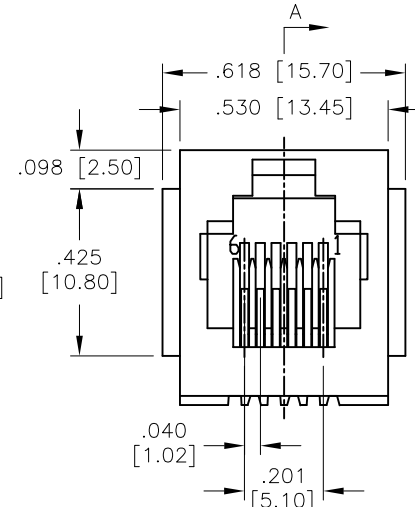
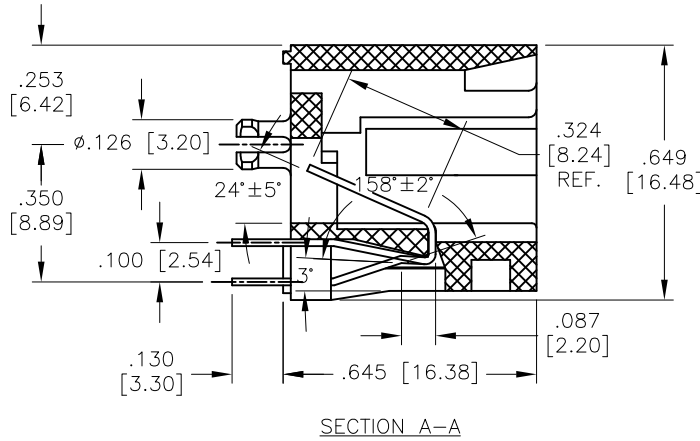
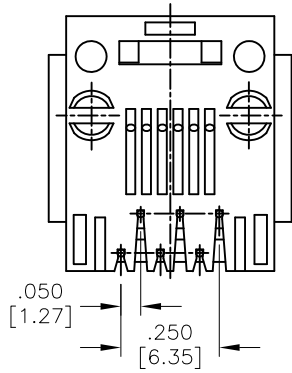


APPROVED: \_\_\_\_\_  
 DATE: \_\_\_\_\_ TITLE: \_\_\_\_\_

Rev	AWO #	Description	Date	Appr
-		RELEASED	10/4/04	
A		UPDATED TITLE	9/25/06	
B		REDRAWN	11/18/10	
C		REVISED DIM.	12/30/13	AY
D		UPDATED SPEC.	11/14/16	HR/CT
E		UPDATED DRAWING	8/1/18	HR/TW



**SPECIFICATIONS:**

**Material:**

Insulator: PBT, rated UL 94V-0

Insulator color: Black

Contacts: Phosphor Bronze

**Plating:**

Round contact

Gold over Nickel underplate overall

Flat contact

Gold over Nickel underplate on contact area,

Tin over Nickel underplate on solder tails

**Electrical:**

Voltage rating: 150 VAC RMS

Current rating: 1.5 Amp

Contact resistance: 20 mohms max

Insulation resistance: 1000 Mohms min @ 500 VDC

Dielectric withstanding voltage:

1000 VAC/DC (Contact to Contact)

1500 VAC/DC (Contact to Screen & Test Panel) for 1 minute

Temperature Rating:

Operating temperature: -40°C to +85°C

Environmental:

Lead free, RoHS compliant.



UNLESS OTHERWISE SPECIFIED  
 ALL DIMENSIONS ARE INCHES [MM]  
 TOLERANCES: EXCEPT AS NOTED

INCHES		HOLES	
.X	± .10	∅X	± .10
.XX	± .020	∅XX	± .015
.XXX	± .015	∅XXX	± .010



TITLE  
**MODULAR TELEPHONE JACK, 6P6C  
 VERTICAL TOP ENTRY, PCB**

APPROVALS		DATE
DRAWN	SS	10/4/04
CHECKED		
APPROVED		

SIZE	PART NO.	REV.
X	MTJ-663X1	E
REF: S00005C	SCALE: NTS	SHEET 1 OF 1