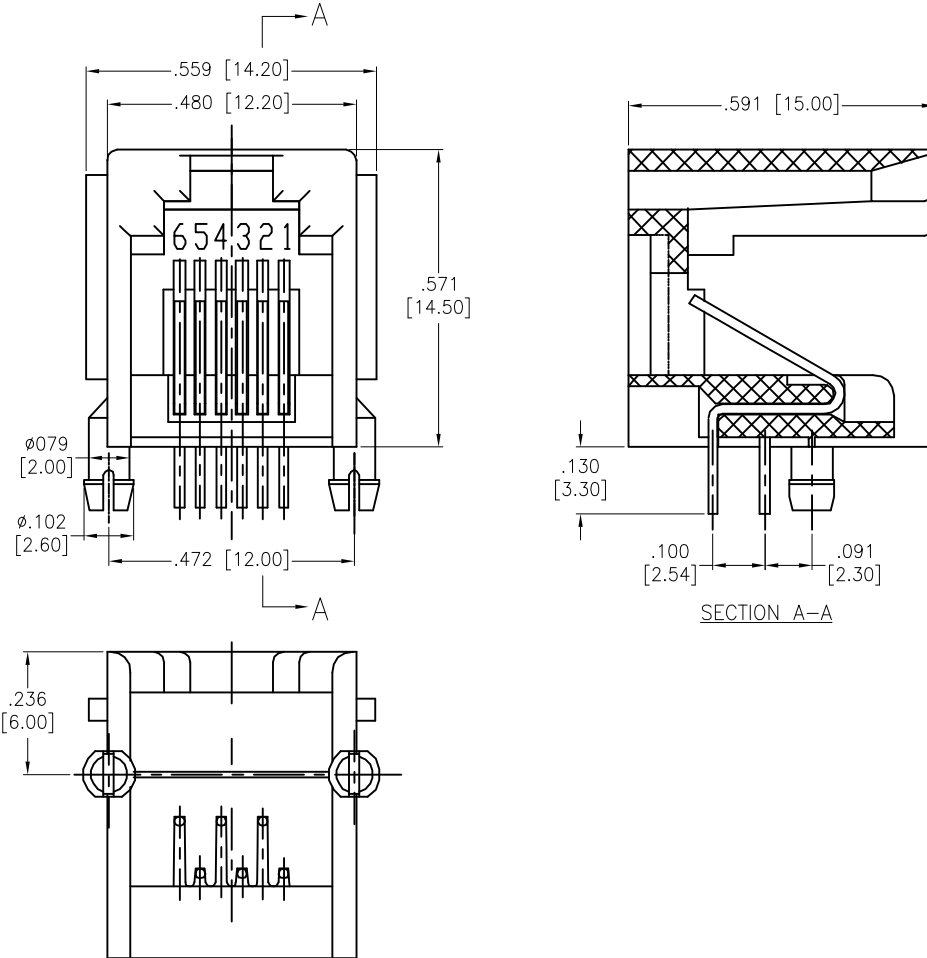
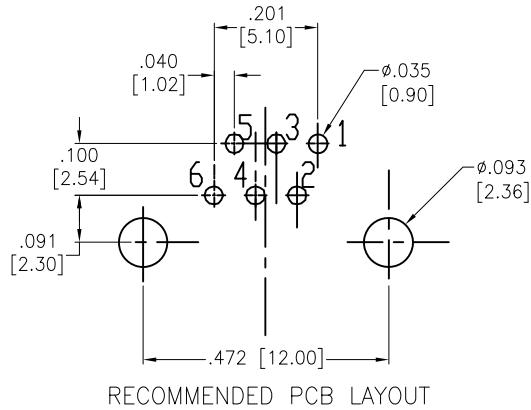


APPROVED: _____
 DATE: _____ TITLE: _____

Rev	AWO #	Description	Date	Appr
-		RELEASED	10/4/04	
A		REDRAWN	11/04/11	
B		UPDATE SPEC.	8/1/18	AY/RC1
C		UPDATE SPEC.	12/20/18	AY/DH



SPECIFICATIONS:
Material:
 Insulator: PBT, rated UL 94V-0
 Insulator color: Gray
 Contacts: Phosphor Bronze
 Contacts Plating:
 Round contact
 Gold over Nickel underplate overall
 Flat contact
 Gold over Nickel underplate on contact area
 Tin over Nickel underplate on solder tails
Electrical:
 Voltage rating: 150 VAC rms
 Current rating: 1.5 Amp
 Contact resistance: 35 mohms max
 Insulation resistance: 1,000 Mohms min @ 500 VDC
 Dielectric withstanding voltage: 1,000 VAC for 1 minute
Temperature Rating:
 Operating temperature: -40°C to +85°C
Environmental:
 Lead free, RoHS compliant.



UNLESS OTHERWISE SPECIFIED
 ALL DIMENSIONS ARE INCHES [MM]
 TOLERANCES: EXCEPT AS NOTED
 INCHES HOLES
 .X ± .10 Ø.X ± .10
 .XX ± .020 Ø.XX ± .015
 .XXX ± .015 Ø.XXX ± .010



APPROVALS		DATE
DRAWN	SS	10/4/04
CHECKED		
APPROVED		

TITLE MODULAR TELEPHONE JACK, 6P6C RIGHT ANGLE, PCB, COLOR GRAY		
SIZE X	PART NO. MTJ-662X2	REV. C
REF: S00005C	SCALE: NTS	SHEET 1 OF 1