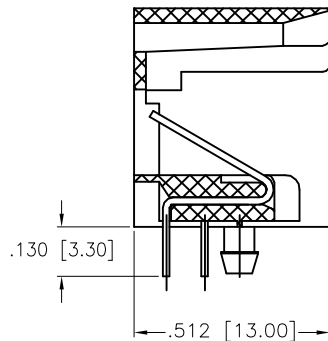
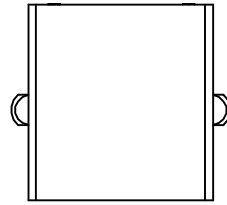


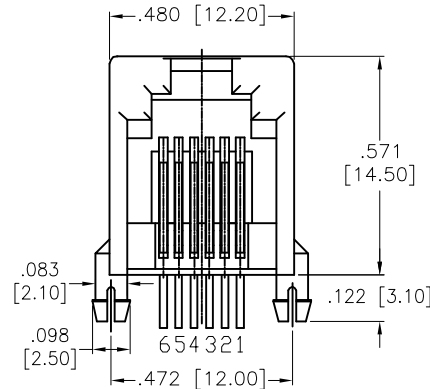
APPROVED: _____

DATE: _____ TITLE: _____

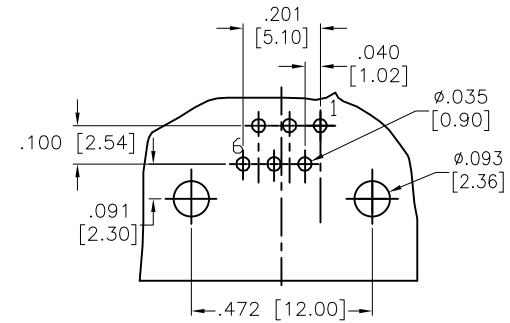
Rev	AWO #	Description	Date	Appr
-		RELEASED	10/4/04	
A		UPDATED SPECIFICATIONS	4/22/08	
B		REDRAWN	10/9/12	
C		UPDATED DRAWING	9/23/16	HR/RT
D		UPDATED DRAWING	12/11/18	HR/RC1



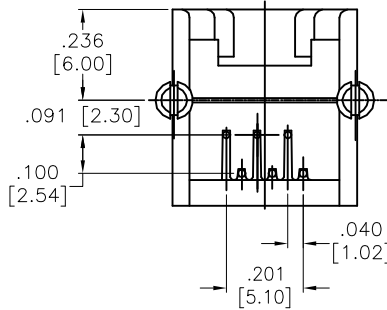
SECTION A-A



AL



RECOMMENDED PCB LAYOUT



SPECIFICATIONS:

Material:

Insulator: PBT, rated UL 94V-0

Insulator color: Gray

Contacts: Phosphor Bronze

Plating:

Round contact

Gold over Nickel underplate overall

Flat contact

Gold over Nickel underplate on contact area,

Tin over Nickel underplate on solder tails

Electrical:

Voltage rating: 150 VAC RMS

Current rating: 1.5 Amp

Contact resistance: 20 mohms max.

Insulation resistance: 1,000 Mohms min. @ 500 VDC

Dielectric withstanding voltage: 1,000 VAC or 1,500 VDC RMS for 1 minute

Temperature Rating:

Operating temperature: -40°C to +85°C

Environmental:

Lead free, RoHS compliant.



UNLESS OTHERWISE SPECIFIED
ALL DIMENSIONS ARE INCHES [MM]
TOLERANCES: EXCEPT AS NOTED

.X	± .10	∅X	± .10
.XX	± .020	∅XX	± .015
.XXX	± .015	∅XXX	± .010

INCHES HOLES



TITLE
MODULAR TELEPHONE JACK, 6P6C
RIGHT ANGLE, PCB

APPROVALS		DATE
DRAWN	SS	10/4/04
CHECKED		
APPROVED		

SIZE X	PART NO. MTJ-662BX2	REV. D
REF: S00005C	SCALE: NTS	SHEET 1 OF 1