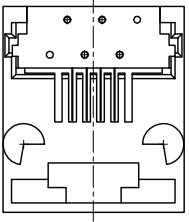
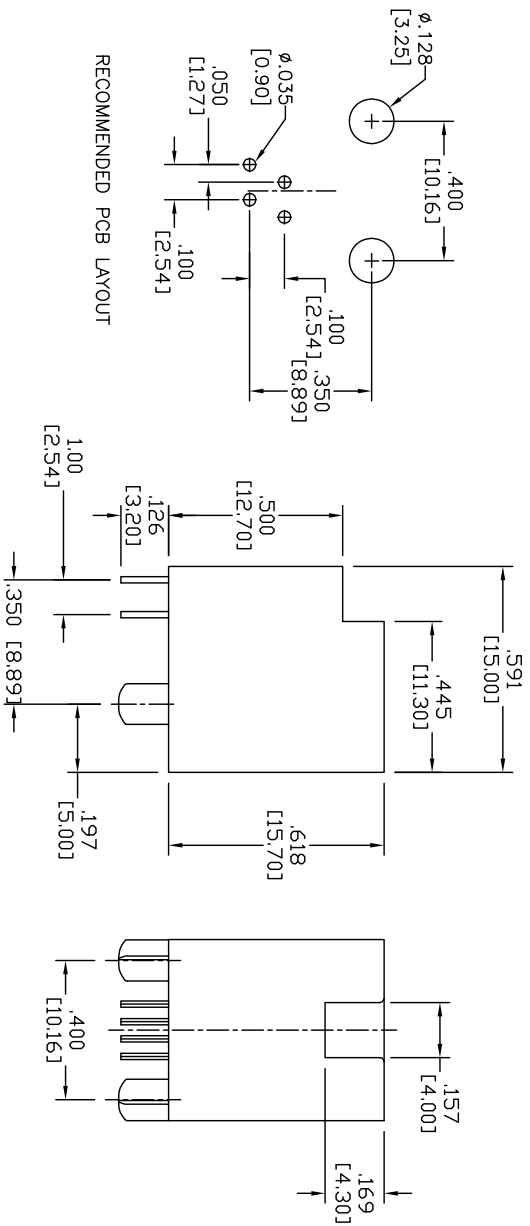
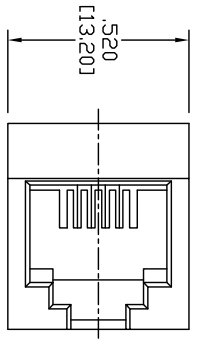


Rev	AWO #	Description	Date	Appr
-		RELEASED	1/31/11	

APPROVED: \_\_\_\_\_  
 DATE: \_\_\_\_\_ TITLE: \_\_\_\_\_



X	PLATING
0	15 min Gold
1	30 min Gold
2	50 min Gold

**SPECIFICATIONS:**  
 Material: PBT, glass reinforced, rated UL 94V-0  
 Insulator color: Black  
 Contacts: Phosphor Bronze  
 Contact Plating: Gold Flash over Nickel underplate on contact area, Tin over Copper underplate on tails (See chart for thickness).  
 Electrical:  
 Operating voltage: 125 VAC max  
 Current rating: 1.5 Amps max  
 Contact Resistance: 30 mohms max. initial  
 Insulation resistance: 1000 Mohms min  
 Dielectric withstanding voltage: 1000 VAC for 1 minut  
 Temperature Rating: -40°C to +85°C  
 Environmental:  
 Lead free, RoHS compliant.

UNLESS OTHERWISE SPECIFIED  
 ALL DIMENSIONS ARE INCHES [MM]  
 TOLERANCES: EXCEPT AS NOTED  
 INCHES: .X ± .10 Ø.X ± .10  
 .XX ± .020 Ø.XXX ± .015  
 .XXX ± .015 Ø.XXXX ± .010



**TITLE**  
 MODULAR TELEPHONE JACK, 6P4C  
 VERTICAL, THRU-HOLE PCB

APPROVALS	DATE
DRAWN AY	1/31/11
CHECKED JL	1/31/11
APPROVED	

SIZE X	PART NO. MTJ-64KBX1-TH	REV.
REF: S00167	SCALE: NTS	SHEET 1 OF 1

