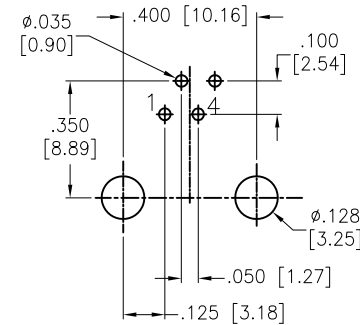
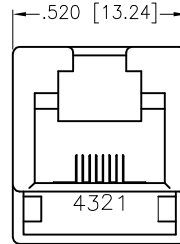
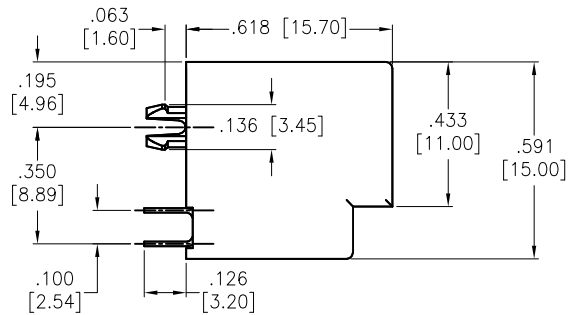
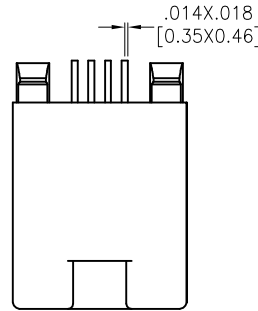


APPROVED: _____
 DATE: _____ TITLE: _____

Rev	AWO #	Description	Date	Appr
-		RELEASED	1/15/13	
A		REVISED SPEC.	2/21/14	HR/AL
B		REVISED SPEC.	3/30/17	HR/IC
C		RE-TOOLED	5/1/17	HR/IC



X	PLATING
0	15 µin Gold
1	30 µin Gold
2	50 µin Gold
6	6 µin Gold

SPECIFICATIONS:

Material:
 Insulator: PBT, rated UL 94V-0
 Insulator color: Black
 Contacts: Phosphor Bronze
 Plating:
 Flat contact
 Gold over Nickel underplate on contact area,
 Matte Tin over Nickel underplate on solder tails
 (See chart for thickness)

Electrical:
 Operating voltage: 150 VAC RMS
 Current rating: 1.5 Amps @ 25°C
 Contact Resistance: 20 mohms max
 Insulation resistance: 1,000 Mohms min @ 500 VDC
 Dielectric withstanding voltage: 1000 VAC/DC for 1 minute
 Temperature Rating:
 Operating temperature: -40°C to +85°C
 Environmental:
 Lead free, RoHS compliant.



UNLESS OTHERWISE SPECIFIED
 ALL DIMENSIONS ARE INCHES [MM]
 TOLERANCES: EXCEPT AS NOTED

INCHES		HOLES	
.X	± .10	Ø.X	±.10
.XX	± .020	Ø.XX	±.015
.XXX	± .015	Ø.XXX	±.010



TITLE: MODULAR TELEPHONE JACK, 6P4C
 VERTICAL, THRU-HOLE PCB, SPLIT PEG

APPROVALS		DATE
DRAWN	AY	1/15/13
CHECKED	AL	1/15/13
APPROVED		

SIZE	PART NO.	REV.
X	MTJ-64KBX1-TH-SP	C

REF: S00005C SCALE: NTS SHEET 1 OF 1