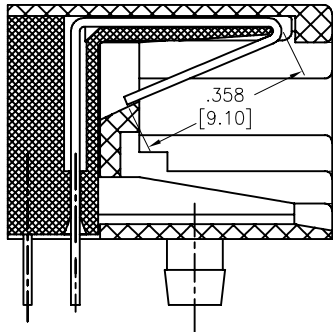
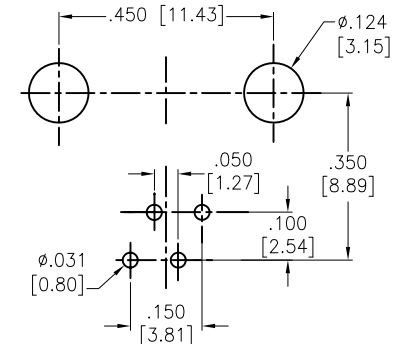
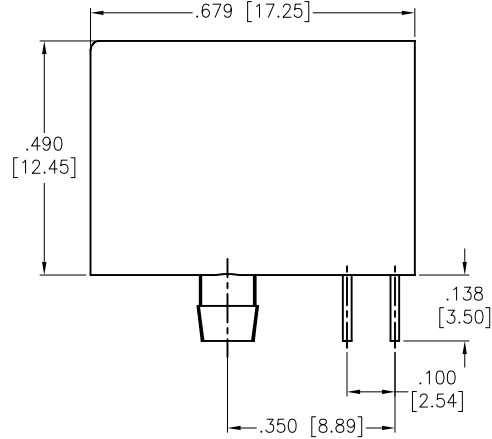
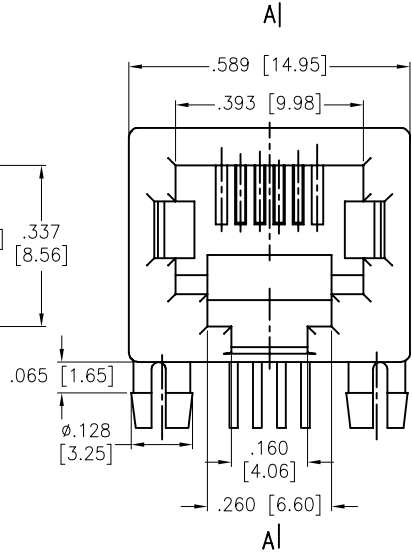


APPROVED: \_\_\_\_\_  
 DATE: \_\_\_\_\_ TITLE: \_\_\_\_\_

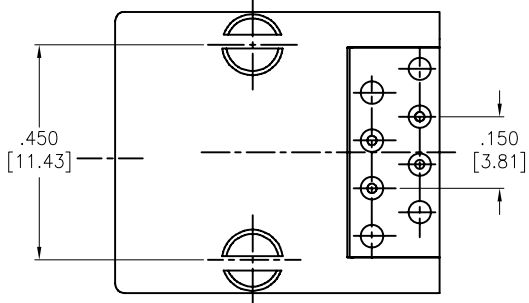
Rev	AWO #	Description	Date	Appr
-		RELEASED	11/18/04	
A		UPDATED SPECS	01/13/05	
B		REDRAWN	8/2/13	
C		UPDATE DRAWING	6/26/18	AY/TW



SECTION A-A



RECOMMENDED PCB LAYOUT



**SPECIFICATIONS:**

**Material:**  
 Insulator: PBT, rated UL 94V-0  
 Insulator color: Black  
 Contacts: Phosphor Bronze  
 Contacts Plating:  
 Round contact  
 Gold over Nickel underplate overall  
 Flat contact  
 Gold Flash Nickel underplate on contact area,  
 Tin over Nickel underplate on solder tails

**Electrical:**  
 Voltage rating: 125 VAC  
 Current rating: 1.5 Amp  
 Contact resistance: 20 mohms max  
 Insulation resistance: 1000 Mohms min @ 500 VDC  
 Dielectric withstanding voltage: 1000 VAC or 1500 VDC for 1 minute  
 Temperature Rating:  
 Operating temperature: -40°C to +85°C

**Environmental:**  
 Lead free, RoHS compliant



UNLESS OTHERWISE SPECIFIED ALL DIMENSIONS ARE INCHES [MM] TOLERANCES: EXCEPT AS NOTED	
INCHES	HOLES
.X ± .10	Ø.X ± .10
.XX ± .020	Ø.XX ± .015
.XXX ± .015	Ø.XXX ± .010
APPROVALS	
DRAWN	DATE
SS	11/18/04
CHECKED	
APPROVED	



TITLE	
MODULAR TELEPHONE JACK, RIGHT ANGLE 6P4C	
SIZE	PART NO.
X	MTJ-649X1
REV.	C
REF: S00005C	SCALE: NTS SHEET 1 OF 1