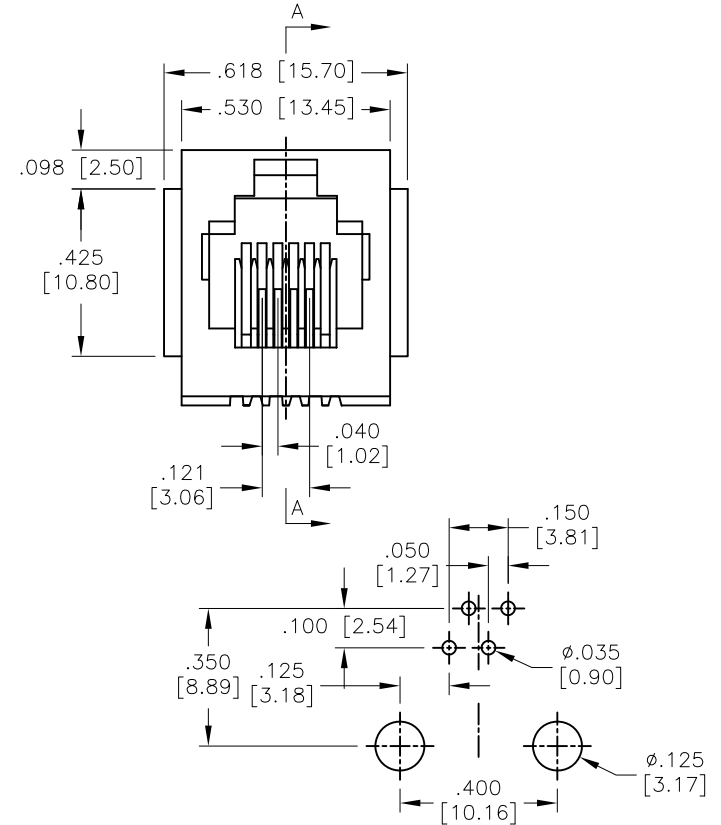
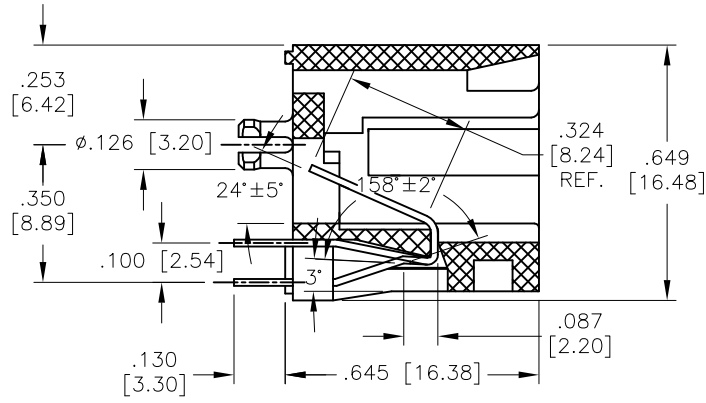
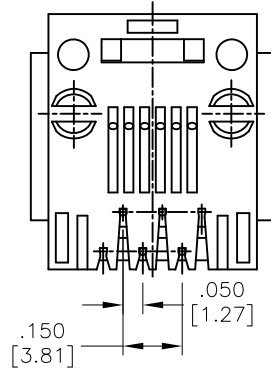


APPROVED: \_\_\_\_\_  
 DATE: \_\_\_\_\_ TITLE: \_\_\_\_\_

| Rev | AWO # | Description     | Date     | Apr   |
|-----|-------|-----------------|----------|-------|
| -   |       | RELEASED        | 9/23/11  |       |
| A   |       | REVISED DIM.    | 11/29/13 | AY    |
| B   |       | UPDATED DRAWING | 8/1/18   | HR/TW |
| C   |       | UPDATED DRAWING | 11/4/19  | LH/TW |

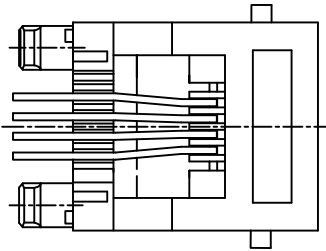


SECTION A-A

RECOMMENDED PCB LAYOUT

**SPECIFICATIONS:**

Material:  
 Insulator: Hi-temp thermoplastic, rated UL 94V-0  
 Insulator color: Black  
 Contacts: Phosphor Bronze  
 Plating:  
 Round contact  
 Gold over Nickel underplate overall  
 Flat contact  
 Gold over Nickel underplate on contact area,  
 Tin over Nickel underplate on solder tails  
 Electrical:  
 Voltage rating: 150 VAC RMS  
 Current rating: 1.5 Amp  
 Contact resistance: 20 mohms max  
 Insulation resistance: 1000 Mohms min @ 500 VDC  
 Dielectric withstanding voltage:  
 1000 VAC/DC (Contact to Contact)  
 1500 VAC/DC (Contact to Screen & Test Panel) for 1 minute  
 Temperature Rating:  
 Operating temperature: -40°C to +85°C  
 Environmental:  
 Lead free, RoHS compliant.



|   |        |             |        |
|---|--------|-------------|--------|
| UNLESS OTHERWISE SPECIFIED<br>ALL DIMENSIONS ARE INCHES [MM]<br>TOLERANCES: EXCEPT AS NOTED |        |             |        |
| INCHES  |        | HOLES       |        |
| .X  | ± .10  | $\phi$ .X   | ± .10  |
| .XX   | ± .020 | $\phi$ .XX  | ± .015 |
| .XXX  | ± .015 | $\phi$ .XXX | ± .010 |
| APPROVALS   |        | DATE        |        |
| DRAWN   | AY     | 9/23/11     |        |
| CHECKED   | AL     | 9/23/11     |        |
| APPROVED  |        |             |        |



TITLE: MODULAR TELEPHONE JACK, VERTICAL,  
 TOP ENTRY, 6 POSITION, 4 CONTACT

|              |                          |              |
|--------------|--------------------------|--------------|
| SIZE<br>X    | PART NO.<br>MTJ-643X1-HT | REV.<br>C    |
| REF: S00005C | SCALE: NTS               | SHEET 1 OF 1 |