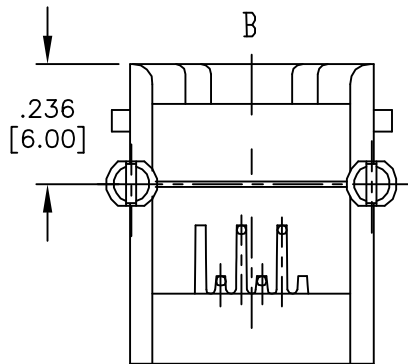
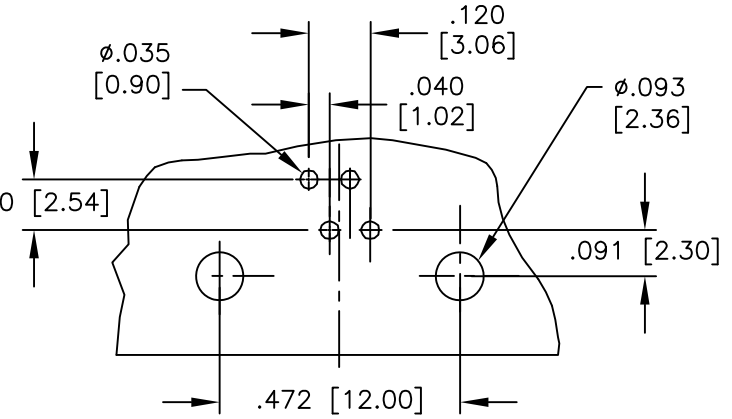
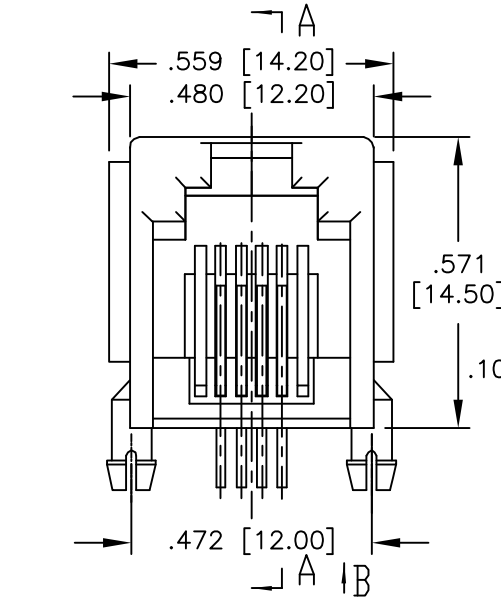
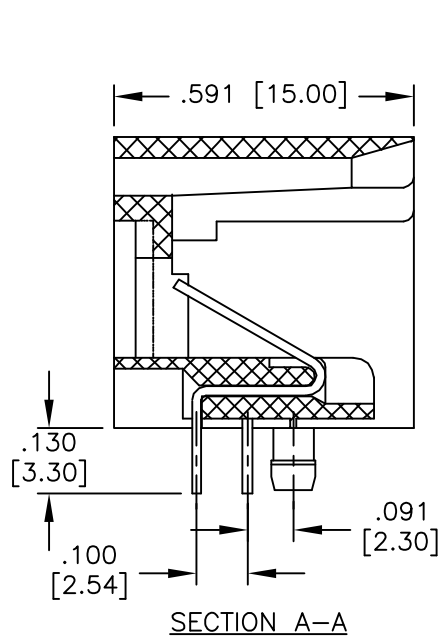


APPROVED: _____
 DATE: _____ TITLE: _____

Rev	AWO #	Description	Date	Appr
-		RELEASED	11/6/13	
A		REVISED SPEC.	11/10/14	AY/GC
B		REVISED SPEC.	10/1/18	AY/TW



SPECIFICATIONS:

Material:
 Insulator: PBT, rated UL 94V-0
 Insulator color: Gray
 Contacts: Phosphor Bronze
 Contacts Plating:
 Round contact
 Gold over Nickel underplate overall
 Flat contact
 Gold over Nickel underplate on contact area
 Tin over Nickel underplate on solder tails
Electrical:
 Voltage rating: 125 VAC rms
 Current rating: 1.5 Amp
 Contact resistance: 35 mohms max
 Insulation resistance: 1,000 Mohms min @ 500 VDC
 Dielectric withstanding voltage: 1,000 VAC for 1 minute
 Temperature Rating:
 Operating temperature: -40°C to +85°C
Environmental:
 Lead free, RoHS compliant.



UNLESS OTHERWISE SPECIFIED ALL DIMENSIONS ARE INCHES [MM] TOLERANCES: EXCEPT AS NOTED			
INCHES		HOLES	
.X	± .10	Ø.X	± .10
.XX	± .020	Ø.XX	± .015
.XXX	± .015	Ø.XXX	± .010
APPROVALS		DATE	
DRAWN	AY	11/6/13	
CHECKED	GH	11/6/13	
APPROVED			



TITLE
 RJ11 TELEPHONE JACK, 6P4C
 RIGHT ANGLE, PCB, COLOR GRAY

SIZE X	PART NO. MTJ-642X2	REV. B
REF: S00005C	SCALE: NTS	SHEET 1 OF 1