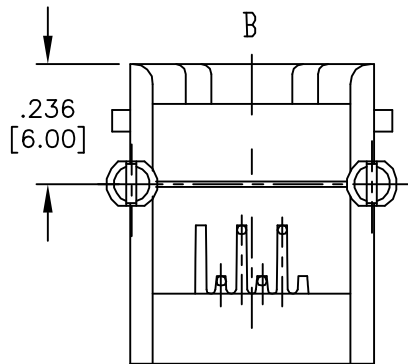
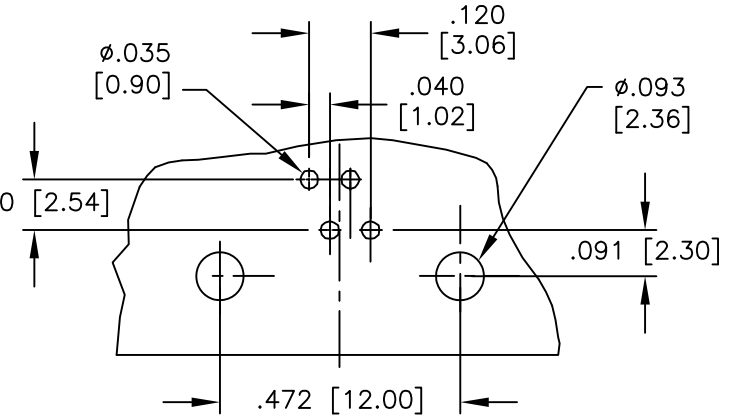
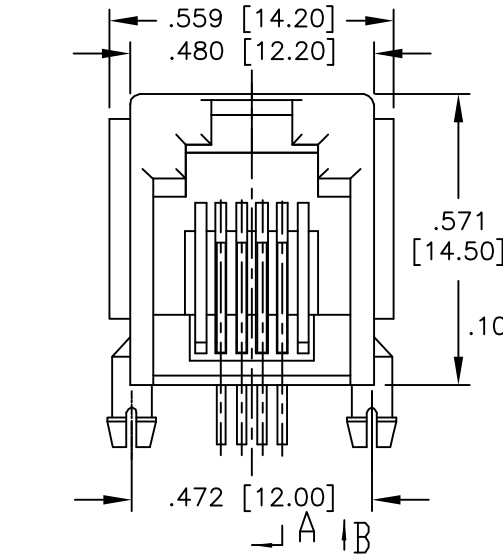
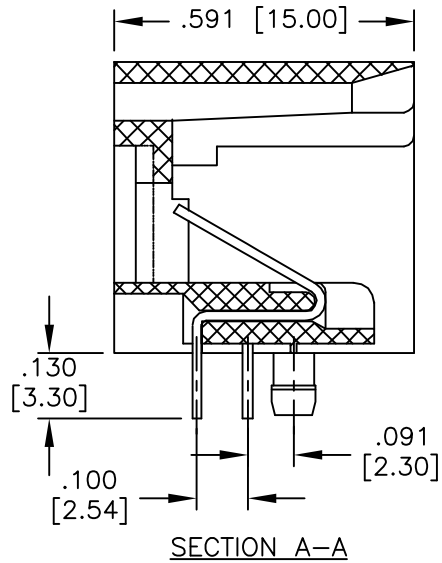


APPROVED: \_\_\_\_\_  
 DATE: \_\_\_\_\_ TITLE: \_\_\_\_\_

Rev	AWO #	Description	Date	Appr
-		RELEASED	04/13/00	
A		ADDED DIMENSIONS	06/20/01	
B		REDRAWN	12/29/08	
C		REDRAWN	10/1/18	AY/TW



**SPECIFICATIONS:**

**Material:**  
 Insulator: PBT, rated UL 94V-0  
 Insulator color: Black  
 Contacts: Phosphor Bronze  
 Contacts Plating:  
 Round contact  
 Gold over Nickel underplate overall  
 Flat contact  
 Gold over Nickel underplate on contact area  
 Tin over Nickel underplate on solder tails  
**Electrical:**  
 Voltage rating: 125 VAC rms  
 Current rating: 1.5 Amp  
 Contact resistance: 35 mohms max  
 Insulation resistance: 1,000 Mohms min @ 500 VDC  
 Dielectric withstanding voltage: 1,000 VAC for 1 minute  
 Temperature Rating:  
 Operating temperature: -40°C to +85°C  
**Environmental:**  
 Lead free, RoHS compliant.



UNLESS OTHERWISE SPECIFIED ALL DIMENSIONS ARE INCHES [MM] TOLERANCES: EXCEPT AS NOTED	
INCHES	HOLES
.X ± .10	Ø.X ± .10
.XX ± .020	Ø.XX ± .015
.XXX ± .015	Ø.XXX ± .010
APPROVALS	
DRAWN	DATE
LFH	04/13/00
CHECKED	
APPROVED	



TITLE: **RJ11 TELEPHONE JACK, 6P4C  
 RIGHT ANGLE, PCB, COLOR BLACK**

SIZE	PART NO.	REV.
X	MTJ-642X1	C
REF:	S00005C	SCALE: NTS
		SHEET 1 OF 1