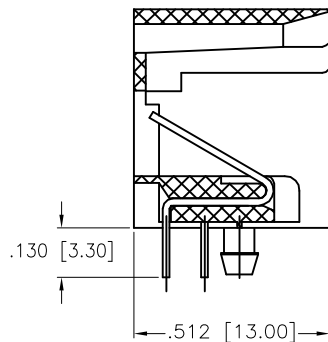
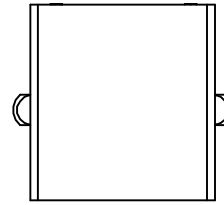
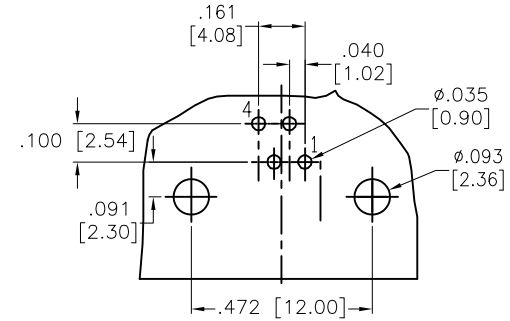
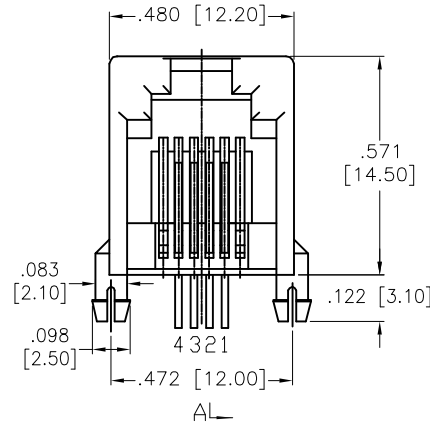


APPROVED: _____
 DATE: _____ TITLE: _____

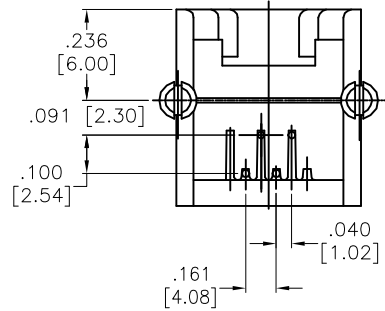
Rev	AWO #	Description	Date	Appr
-		RELEASED	2/17/11	
A		REDRAWN	12/14/15	AY/NC
B		UPDATED DRAWING	9/23/16	HR/RT
C		UPDATED DRAWING	12/11/18	HR/RT



SECTION A-A



RECOMMENDED PCB LAYOUT



SPECIFICATIONS:
Material:
 Insulator: PBT, rated UL 94V-0
 Insulator color: Gray
 Contacts: Phosphor Bronze
Plating:
 Round contact
 Gold over Nickel underplate overall
 Flat contact
 Gold over Nickel underplate on contact area,
 Tin over Nickel underplate on solder tails
Electrical:
 Voltage rating: 150 VAC RMS
 Current rating: 1.5 Amp
 Contact resistance: 20 mohms max.
 Insulation resistance: 1,000 Mohms min. @ 500 VDC
 Dielectric withstanding voltage: 1,000 VAC or 1,500 VDC RMS for 1 minute
Temperature Rating:
 Operating temperature: -40°C to +85°C
Environmental:
 Lead free, RoHS compliant.



UNLESS OTHERWISE SPECIFIED ALL DIMENSIONS ARE INCHES [MM] TOLERANCES: EXCEPT AS NOTED INCHES HOLES .X ± .10 Ø.X ± .10 .XX ± .020 Ø.XX ± .015 .XXX ± .015 Ø.XXX ± .010			
APPROVALS DRAWN AY 2/17/11 CHECKED VW 2/17/11 APPROVED		DATE 2/17/11 2/17/11	
TITLE MODULAR TELEPHONE JACK, 6P4C RIGHT ANGLE, PCB, COLOR GRAY		SIZE X	PART NO. MTJ-642BX2
REF: S00005C		SCALE: NTS	REV. C SHEET 1 OF 1