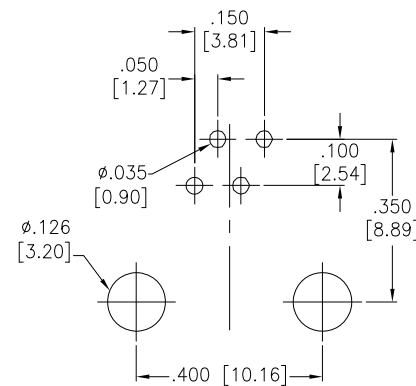
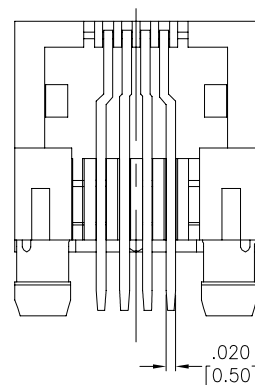
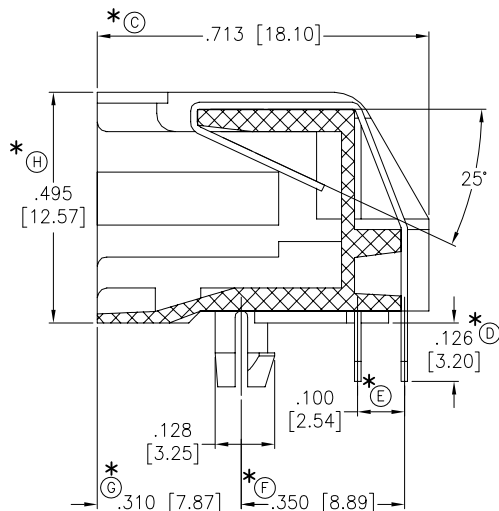
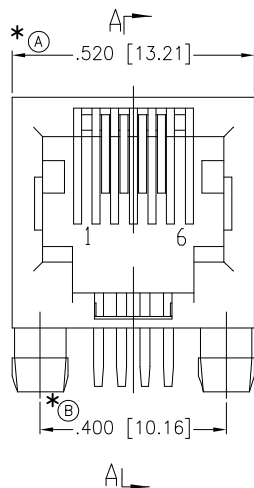


APPROVED: _____
 DATE: _____ TITLE: _____

Rev	AWO #	Description	Date	Appr
-		RELEASED	3/17/08	
A		CORRECTED FOOTPRINT DIM	4/22/08	
B		REDRAWN	6/4/14	AY/LL
C		REVISED SPEC.	6/30/15	AY
D		REVISED SPEC.	5/3/16	HR/RT
E		ADDED SPEC.	4/11/17	HR/RT



RECOMMENDED PCB LAYOUT

SECTION A-A

SPECIFICATIONS:

Material:
 Insulator: PBT, rated UL 94V-0
 Insulator color: Pantone Cool Gray 3U
 Contacts: Phosphor Bronze
 Contacts Plating:

Flat contact
 Gold over Nickel underplate on contact area,
 Tin over Nickel underplate on solder tails
 (See chart for thickness)

Electrical:
 Operating voltage: 125 VAC max
 Current rating: 1.5 Amps max
 Contact resistance: 20 mohms max
 Insulation resistance: 1,000 Mohms min @ 500 VDC
 Dielectric withstanding voltage: 1,000 VAC for 1 minute
 Temperature Rating:
 Operating temperature: -40°C to +85°C

Environmental:
 Lead free, RoHS compliant.



X	PLATING
0	15 µIn Gold
1	30 µIn Gold
2	50 µIn Gold

Full Compliant TIA-1096

UNLESS OTHERWISE SPECIFIED ALL DIMENSIONS ARE INCHES [MM] TOLERANCES: EXCEPT AS NOTED			
INCHES HOLES			
.X ± .10	Ø.X ± .10	TITLE MODULAR TELEPHONE JACK, 6P4C RIGHT ANGLE, PCB, NO PANEL STOPS	
.XX ± .020	Ø.XX ± .015		
.XXX ± .015	Ø.XXX ± .010		
APPROVALS		DATE	
DRAWN	SS	3/17/08	
CHECKED			
APPROVED			
SIZE X	PART NO. MTJ-640X2-N-PC3U	REV. E	
REF: S00005C	SCALE: NTS	SHEET 1 OF 1	