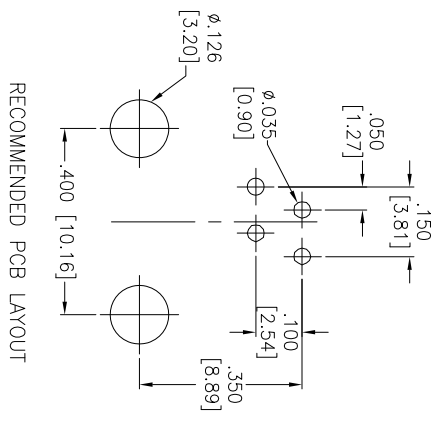
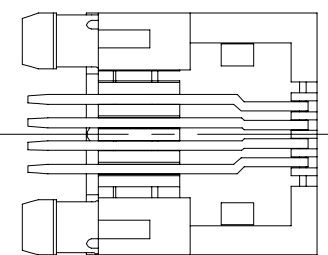
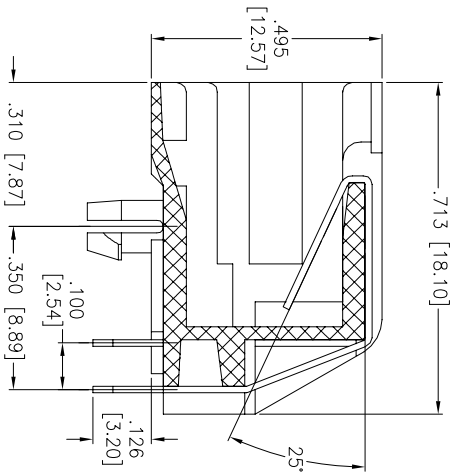
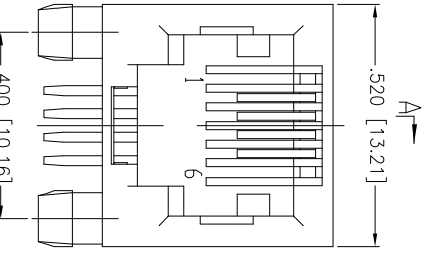


APPROVED: \_\_\_\_\_  
 DATE: \_\_\_\_\_ TITLE: \_\_\_\_\_

Rev	AWO #	Description	Date	Appr
-		RELEASED	3/17/08	
A		CORRECTED FOOTPRINT DIM	4/22/08	
B		REDRAWN	6/4/14	AY/LL
C		REVISED SPEC.	6/30/15	AY



**SPECIFICATIONS:**

**Material:**  
 Insulator: PBT, rated UL 94V-0  
 Insulator color: Green, Pantone P362C  
**Contacts: Phosphor Bronze**  
**Contacts Plating:**  
 Flat contact  
 Gold over Nickel underplate on contact area,  
 Tin over Copper underplate on solder tails  
 Round contact  
 Gold over Nickel underplate overall  
 (See chart for thickness)  
**Electrical:**  
 Operating voltage: 125 VAC max  
 Current rating: 1.5 Amps max  
 Contact resistance: 45 mohms max  
 Insulation resistance: 1,000 Mohms min @ 500 VDC  
 Dielectric withstanding voltage: 1,000 VAC for 1 minute  
 Temperature Rating:  
 Operating temperature: -40°C to +85°C  
**Environmental:**  
 Lead free, RoHS compliant.

X	PLATING
0	15 µin Gold
1	30 µin Gold
2	50 µin Gold

UNLESS OTHERWISE SPECIFIED  
 ALL DIMENSIONS ARE INCHES [MM]  
 TOLERANCES: EXCEPT AS NOTED  
 INCHES                      Holes ±.10  
 .X                              ±.10  
 .XX                             ±.020  
 .XXX                            ±.015  
 .XXX                            ±.010

APPROVALS	DATE
DRAWN	SS
CHECKED	
APPROVED	



**TITLE**  
 MODULAR TELEPHONE JACK, 6P4C  
 RIGHT ANGLE, PCB, NO PANEL STOPS

SIZE	PART NO.	REV.
X	MTJ-640X2-N-P362C	C

REF: S00036C SCALE: NTS SHEET 1 OF 1