

6

5

4

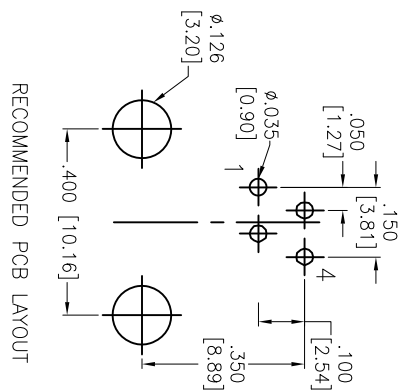
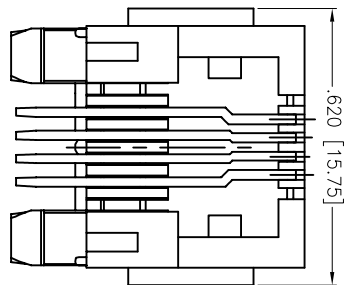
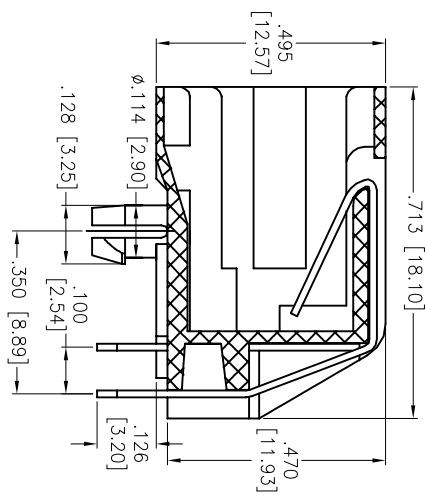
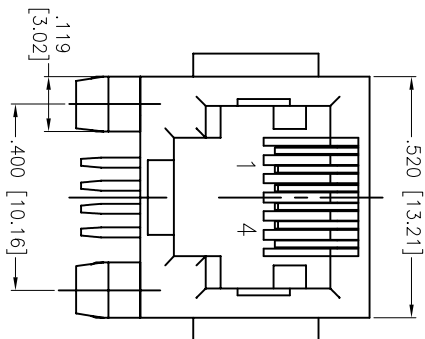
3

2

1

APPROVED: \_\_\_\_\_  
 DATE: \_\_\_\_\_ TITLE: \_\_\_\_\_

| Rev | AWO # | Description | Date     | Appr |
|-----|-------|-------------|----------|------|
| -   |       | PRELIMINARY | 09/13/00 |      |
| A   |       | REDRAWN     | 02/01/12 |      |



**SPECIFICATIONS:**

Material: Insulator: PBT, rated UL 94V-0  
 Insulator color: Black  
 Contacts: Phosphor Bronze  
 Plating:  
 Gold over Nickel underplate on contact area,  
 Tin over Copper underplate on PCB tails  
 Electrical:  
 Operating voltage: 125 VAC max  
 Current rating: 1.5 Amps max  
 Contact resistance: 20 mohms max  
 Insulation resistance: 1,000 Mohms min @ 500 VDC  
 Dielectric withstanding voltage: 1,000 VAC for 1 minute  
 Temperature Rating:  
 Operating temperature: -40°C to +85°C  
 Environmental:  
 Lead free, RoHS compliant.

| X | PLATING     |
|---|-------------|
| 0 | 15 µin Gold |
| 1 | 30 µin Gold |
| 2 | 50 µin Gold |

UNLESS OTHERWISE SPECIFIED  
 ALL DIMENSIONS ARE INCHES [MM]  
 TOLERANCES: EXCEPT AS NOTED  
 INCHES Holes ±.10  
 .XX ±.020  
 .XXX ±.015  
 APPROVALS DATE



TITLE: MODULAR TELEPHONE JACK, 6P4C  
 RIGHT ANGLE, PCB

| APPROVALS | DATE     |
|-----------|----------|
| DRAWN LFH | 09/13/00 |
| CHECKED   |          |
| APPROVED  |          |

| SIZE        | PART NO.   | REV.         |
|-------------|------------|--------------|
| X           | MTJ-640X1  | A            |
| REF: S0003C | SCALE: NTS | SHEET 1 OF 1 |

6

5

4

3

2

1