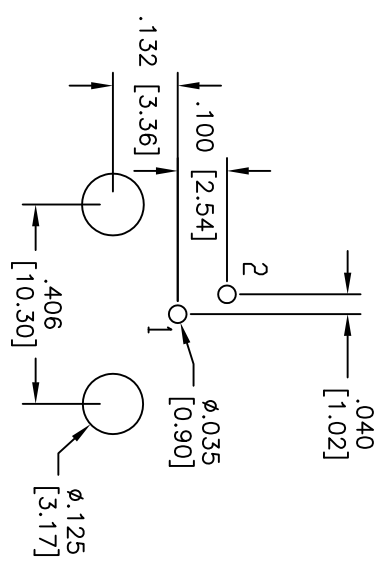
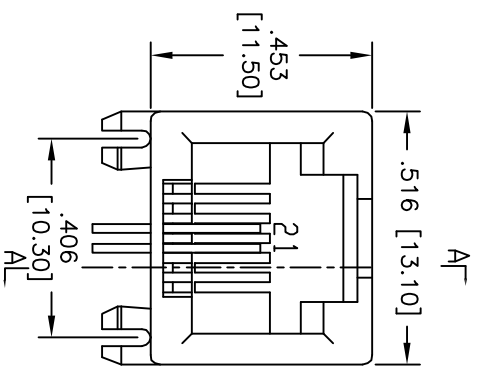
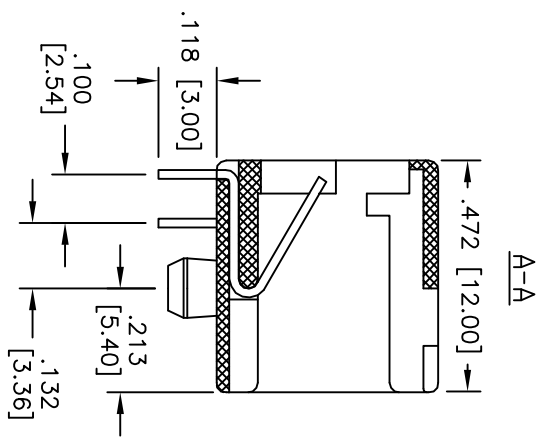
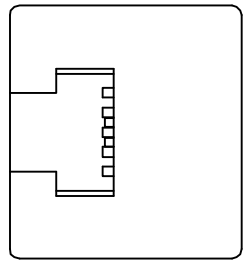


Rev	AWO #	Description	Date	Appr
-		RELEASED	8/12/09	

APPROVED: _____
 DATE: _____ TITLE: _____



RECOMMENDED PCB LAYOUT

SPECIFICATIONS:

Material:
 Insulator: PBT, rated UL 94V-0
 Insulator color: Black
 Contacts: Phosphor Bronze
Plating:
 Gold over Nickel underplate on contact area,
 Tin over copper underplate on solder tails.

Electrical:
 Operating voltage: 125 VAC max
 Current rating: 1.5 Amps max
 Contact resistance: 35 mohms max. initial
 Insulation resistance: 1000 Mohms min
 Dielectric withstanding voltage: 1,000 VAC for 1 minute
Temperature Rating:
 Operating temperature: 0°C to +70°C

Environmental:
 Lead free, RoHS compliant.
 Recommended soldering temp: 235°C for 5 sec.



UNLESS OTHERWISE SPECIFIED
 ALL DIMENSIONS ARE INCHES [MM]
 TOLERANCES: EXCEPT AS NOTED

INCHES	HILES
.X ± .10	Ø.X ± .10
.XX ± .020	Ø.XXX ± .015
.XXX ± .015	Ø.XXX ± .010

APPROVALS

DATE
8/12/09



MODULAR TELEPHONE JACK, R/A, 6P2C

SIZE	PART NO.	REV.
X	MTJ-620X1	-

SCALE	SHEET
NTS	1 OF 1