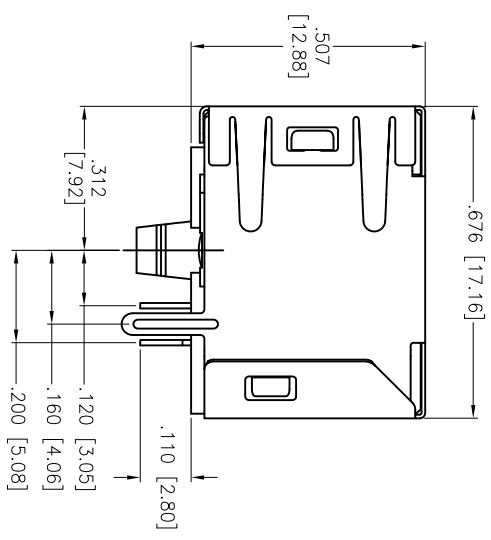
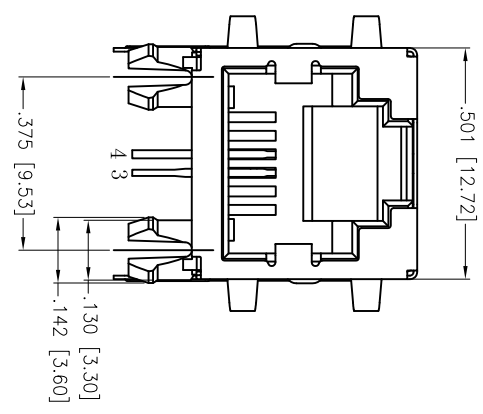
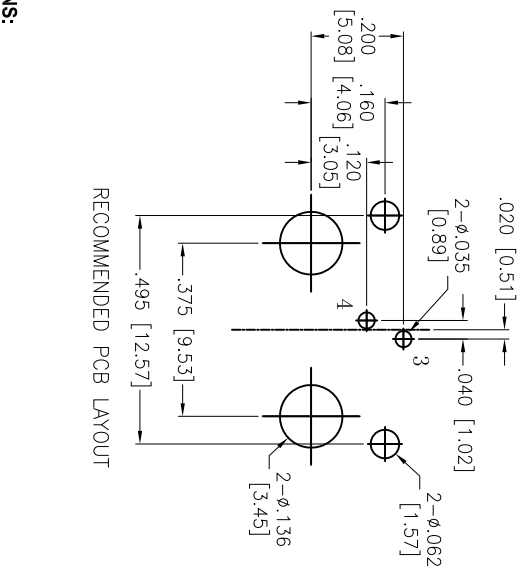
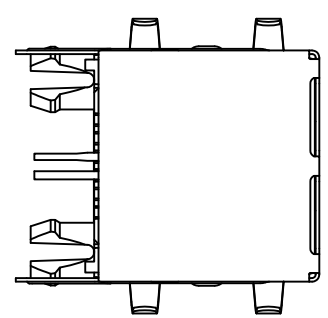
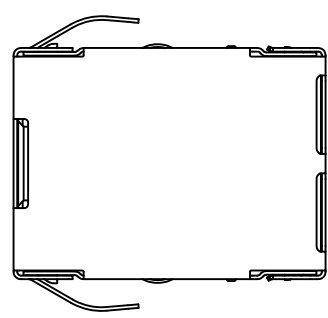


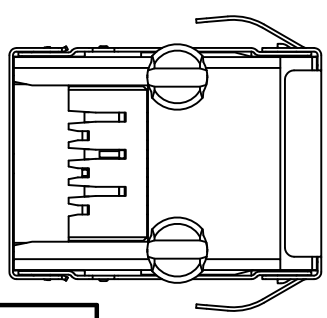
APPROVED: _____
 DATE: _____ TITLE: _____

Rev	AWO #	Description	Date	Appr
-		RELEASED	5/01/17	
A		UPDATE DRAWING	6/14/17	AV/NP



RECOMMENDED PCB LAYOUT

SPECIFICATIONS:
 Material: Insulator: (LCP) Hi-Temp Thermoplastic, rated UL 94V-0
 Insulator color: Black
 Contacts: Phosphor Bronze
 Shield: SUS304, Thickness: 0.2mm PRE-Soldering
Plating:
 Round contact: Gold over Nickel underplate overall
 Flat contact: Gold over Nickel underplate on contact area,
 Tin over Copper underplate on solder tails
 Electrical:
 Voltage rating: 125 VAC rms
 Current rating: 1.5 A
 Contact resistance: 20 mΩ Max. initial,
 Insulation resistance: 500 Mohms min
 Dielectric withstanding voltage: 1000 VAC for 1 minute
 Temperature Rating:
 Operating temperature: -40°C to +85°C
 Environmental:
 Lead free, RoHS compliant.



UNLESS OTHERWISE SPECIFIED
 ALL DIMENSIONS ARE MM [INCHES]
 TOLERANCES: EXCEPT AS NOTED
 INCHES

.X	± .10	ØXX	± .10
.XX	± .020	ØXXX	± .015
.XXX	± .015	ØXXX	± .010

APPROVALS

DRAWN	AY	5/01/17
CHECKED	CH	5/01/17
APPROVED		



TITLE
 MODULAR TELEPHONE JACK, 6P2C
 HI-TEMP

SIZE	PART NO.	REV.
X	MTJ-62ATX1-FSD-PG4-HT	A
REF:	S00101C	SCALE: NTS
		SHEET 1 OF 1

