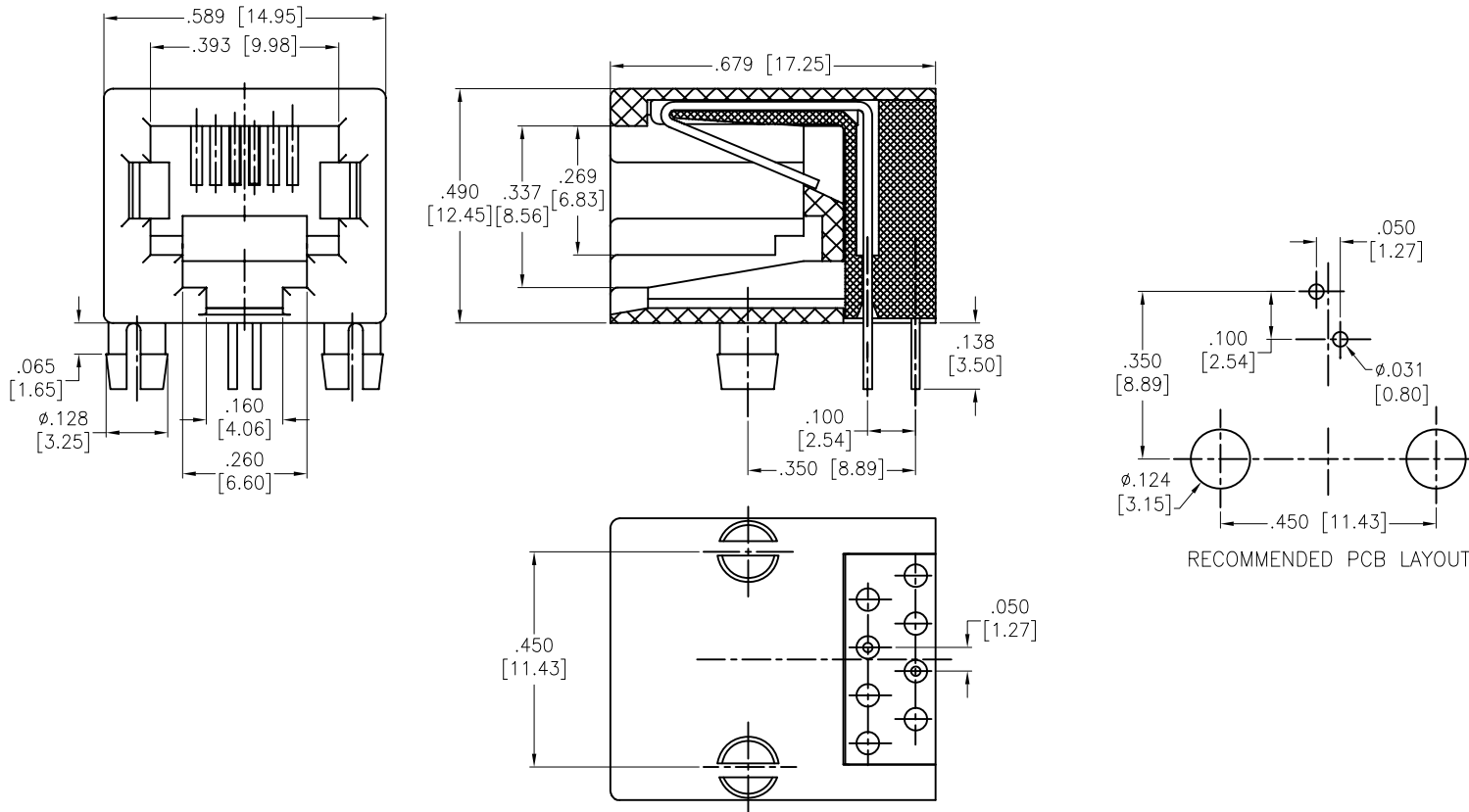


APPROVED: \_\_\_\_\_

DATE: \_\_\_\_\_ TITLE: \_\_\_\_\_

Rev	AWO #	Description	Date	Appr
-		RELEASED	6/8/04	
A		REDRAW	06/28/13	
B		ADDED PLATING SPEC.	5/16/14	HR/GH
C		UPDATE SPEC.	1/17/23	WX/NL



**SPECIFICATIONS:**

**Material:**

Insulator: PBT, rated UL 94V-0

Insulator color: Black

Contacts: Phosphor Bronze

**Plating:**

Gold flash over Nickel underplate overall

**Electrical:**

Voltage rating: 125 VAC

Current rating: 1.5 Amp

Contact resistance: 20 mohms max

Insulation resistance: 1,000 Mohms min @ 500 VDC

Dielectric withstanding voltage: 1,000 VAC or 1,500 VDC for 1 minute

**Mechanical:**

Temperature Rating:

Operating temperature: -40°C to +85°C

**Environmental:**

Lead free, RoHS compliant.



UNLESS OTHERWISE SPECIFIED ALL DIMENSIONS ARE INCHES [MM]. TOLERANCES: EXCEPT AS NOTED

INCHES		HOLES	
.X	± .10	$\phi$ .X	± .10
.XX	± .020	$\phi$ .XX	± .015
.XXX	± .015	$\phi$ .XXX	± .010

DRAWN	SS	6/8/04
CHECKED		
APPROVED		

THIS DRAWING CONTAINS INFORMATION THAT IS PROPRIETARY AND SHOULD NOT BE USED WITHOUT PRIOR WRITTEN PERMISSION FROM ADAM TECH



TITLE MODULAR TELEPHONE JACK, 6P2C		
SIZE X	PART NO. MTJ-629X1	REV. C
REF: S00005C	SCALE: NTS	SHEET 1 OF 1