

6

5

4

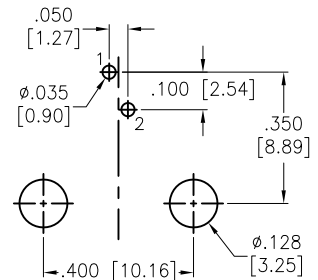
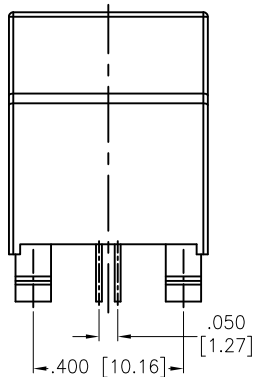
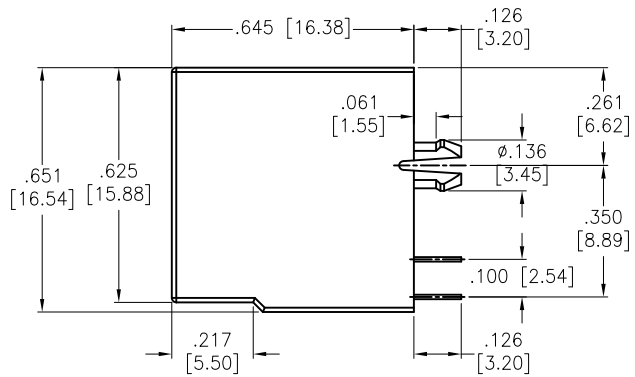
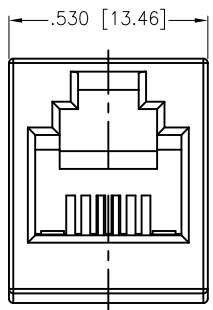
3

2

1

| Rev | AWO # | Description | Date | Appr |
|-----|-------|-------------|---------|------|
| - | | RELEASED | 9/27/18 | |

APPROVED: _____
DATE: _____ TITLE: _____



RECOMMENDED PCB LAYOUT

SPECIFICATIONS:
Material:
 Insulator: Hi-Temp Thermoplastic, rated UL 94V-0
 Insulator color: Pantone P355C Green
 Contacts: Phosphor Bronze
Plating:
 Round contact
 Gold over Nickel underplate overall
 Flat contact
 Gold over Nickel underplate on contact area,
 Tin over Nickel underplate on solder tails
Electrical:
 Voltage rating: 150 VAC max
 Current rating: 1.5 Amp max
 Contact resistance: 30 mohms max
 Insulation resistance: 500 Mohms min
 Dielectric withstanding voltage: 1,000 VAC
Temperature Rating:
 Operating temperature: -40°C to +70°C
Environmental:
 Lead free, RoHS compliant.



| | | |
|---|--------|--------------|
| UNLESS OTHERWISE SPECIFIED ALL DIMENSIONS ARE INCHES [MM] TOLERANCES: EXCEPT AS NOTED | | |
| INCHES HOLES | | |
| .X | ± .10 | Ø.X ± .10 |
| .XX | ± .020 | Ø.XX ± .015 |
| .XXX | ± .015 | Ø.XXX ± .010 |
| APPROVALS | | DATE |
| DRAWN | HR | 9/27/18 |
| CHECKED | RC2 | 9/27/18 |
| APPROVED | | |



| | | | |
|---|------------------------------------|--------------|--|
| TITLE MODULAR TELEPHONE JACK, 6P2C VERTICAL TOP ENTRY, PCB, NO PANEL STOPS, GREEN | | | |
| SIZE X | PART NO. MTJ-623X1-N-HT-P355C-A | REV. - | |
| REF: S00297T | SCALE: NTS | SHEET 1 OF 1 | |

6

5

4

3

2

1