

6

5

4

3

2

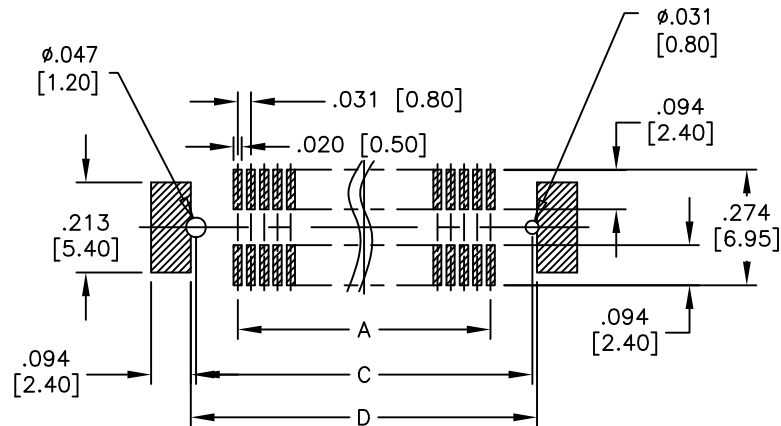
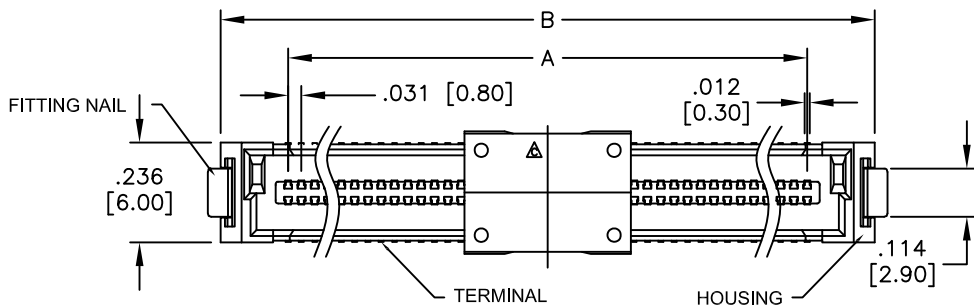
1

APPROVED: \_\_\_\_\_  
 DATE: \_\_\_\_\_ TITLE: \_\_\_\_\_

Rev	AWO #	Description	Date	Appr
-		RELEASED	1/5/11	

D

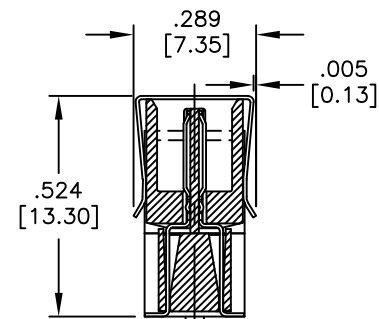
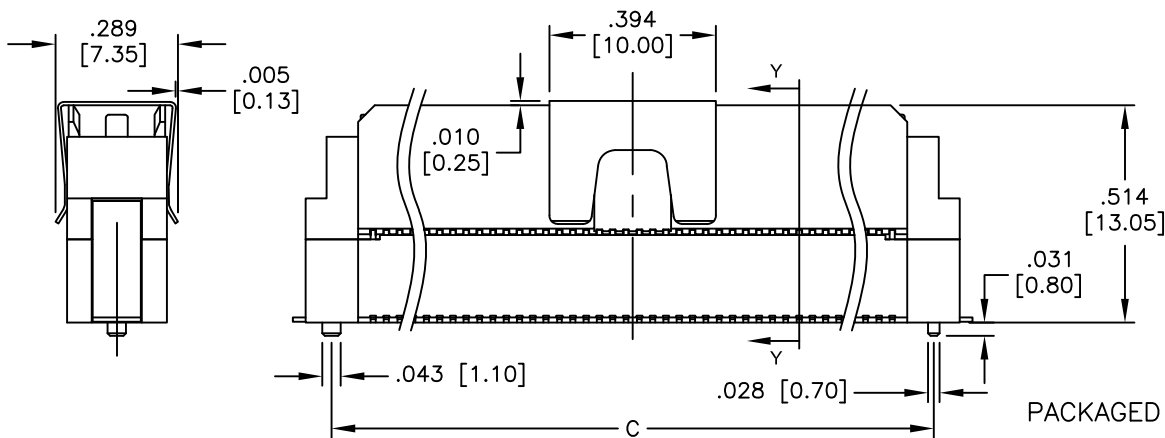
D



RECOMMENDED PCB LAYOUT

C

C



SECTION Y-Y

B

B

SPECIFICATIONS:

Material:  
 Insulator: LCP, rated UL 94V-0  
 Contacts: Copper Alloy  
 Fitting Nail: Copper Alloy  
 Plating:  
 Gold flash over Nickel underplate overall.  
 Electrical:  
 Operating voltage: 100 VAC max  
 Current rating: 0.5 Amps max  
 Contact resistance: 55 mohms max. initial  
 Insulation resistance: 1000 Mohms min  
 Temperature Rating:  
 Ambient temperature range: -55°C to +85°C  
 Environmental:  
 Lead free, RoHS compliant  
 Recommended soldering temp: 260°C for 5 seconds



PACKAGED ON TAPE & REEL

Positions: 20, 40, 60, 80, 100, 120, 140, 160  
 A = .031 [0.80] x No. of Spaces  
 B = .031 [0.80] x No. of Spaces + .319 [8.10]  
 C = .031 [0.80] x No. of Spaces + .197 [5.00]  
 D = .031 [0.80] x No. of Spaces + .220 [5.60]

A

A

UNLESS OTHERWISE SPECIFIED ALL DIMENSIONS ARE INCHES [MM] TOLERANCES: EXCEPT AS NOTED			
INCHES HOLES			
.X ± .10	∅X ± .10	TITLE .031 [0.80] BOARD TO BOARD PLUG, SMT TYPE HEIGHT=13.05MM	
.XX ± .020	∅XX ± .015	DRAWN AY 1/5/11	
.XXX ± .015	∅XXX ± .010	CHECKED SC 1/5/11	
APPROVALS		DATE	
APPROVED		REF: S00110T SCALE: NTS SHEET 1 OF 1	
SIZE X	PART NO. BB8-PA-XXX-G-13.05-PP-T/R	REV. -	

6

5

4

3

2

1