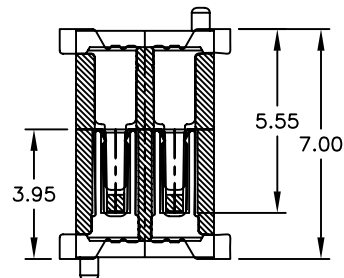
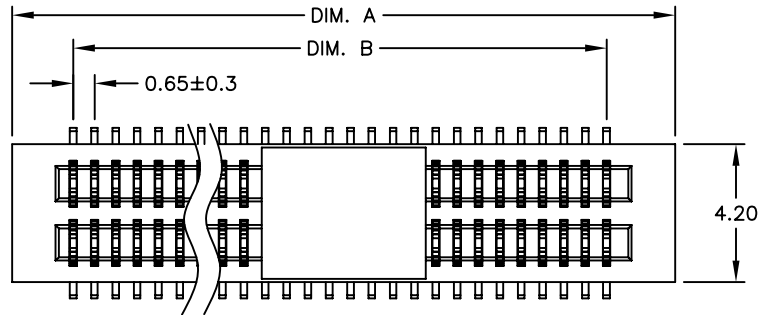
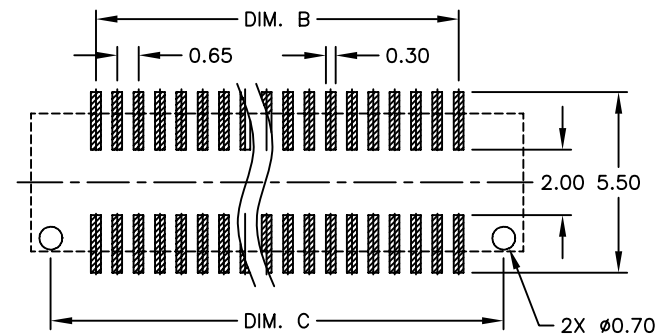
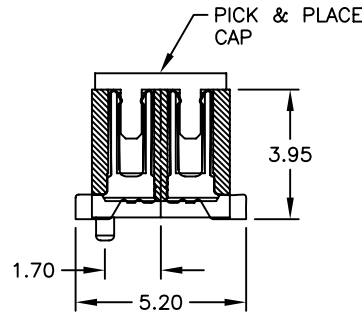
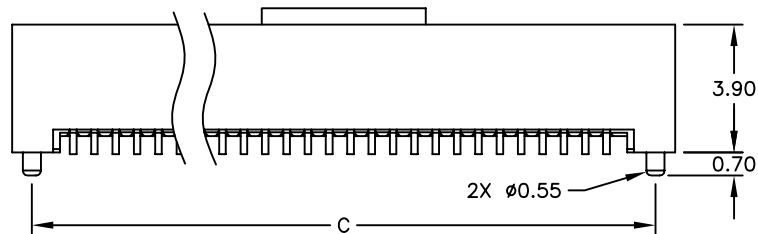


APPROVED: _____
 DATE: _____ TITLE: _____

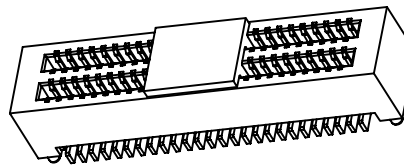
Rev	AWO #	Description	Date	Appr
-	6984	RELEASED	8/17/06	



MATED PAIR HEIGHT



RECOMENDED PCB LAYOUT



SPECIFICATIONS:

Material:
 Insulator: Hi-Temp thermoplastic, rated UL 94V-0
 Insulator color: Natural
 Contacts: Phosphor Bronze
 Plating:
 Gold ovr Nickel underplate overall
 Electrical:
 Operating voltage: 60V AC/DC max.
 Current rating: 0.5 Amps max.
 Contact resistance: 80 mohms max. initial
 Insulation resistance: 1,000 Mohms min.
 Dielectric withstanding voltage: 150 VAC for 1 minute
 Temperature Rating:
 Operating temperature: -55°C to +85°C
 Environmental:
 Lead free, RoHS compliant
 Recommended soldering temp: 260°C for 5 seconds



****Contact Dimension**

Contact	DIM. A	DIM. B	DIM. C
10	6.55	2.60	5.35
20	9.80	5.85	8.60
30	13.05	9.10	11.85
40	16.30	12.35	15.10
50	19.55	15.60	18.35
52	20.20	16.25	19.00

UNLESS OTHERWISE SPECIFIED
 ALL DIMENSIONS ARE INCHES [MM]
 TOLERANCES: EXCEPT AS NOTED
 INCHES HOLES

.X ± .10	Ø.X ± .10
.XX ± .020	Ø.XX ± .015
.XXX ± .015	Ø.XXX ± .010

APPROVALS		DATE
DRAWN	SS	8/17/06
CHECKED		
APPROVED		



TITLE
**.025 [0.65] BOARD TO BOARD SOCKET
 SURFACE MOUNT**

SIZE X	PART NO. BB65-S-XXX-G	REV. -
REF:	SCALE: NTS	SHEET 1 OF 1