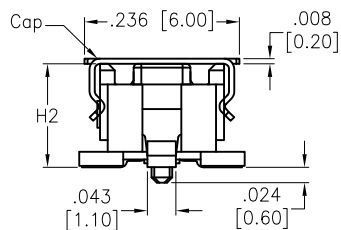
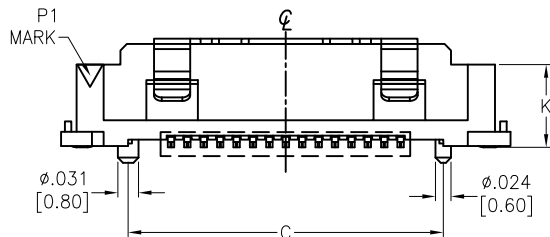
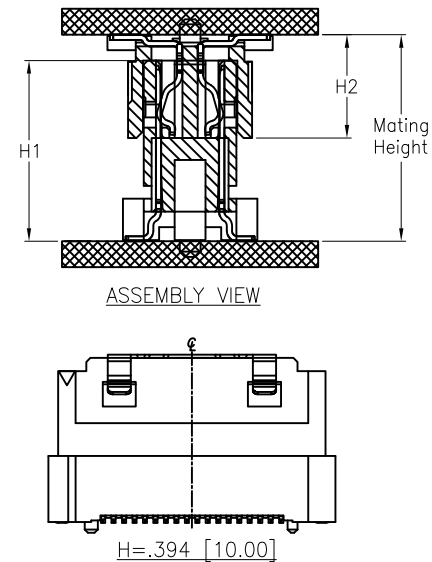
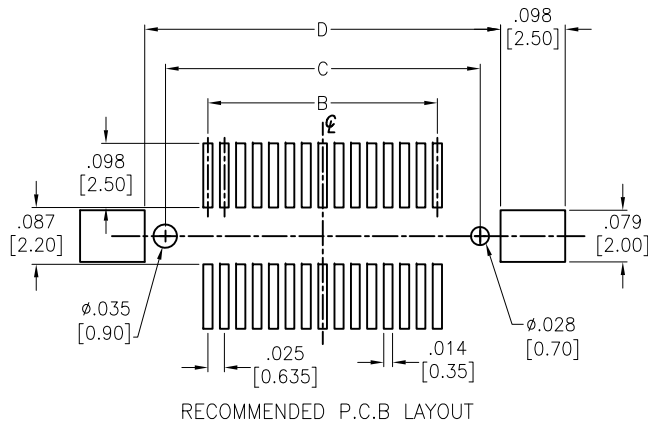
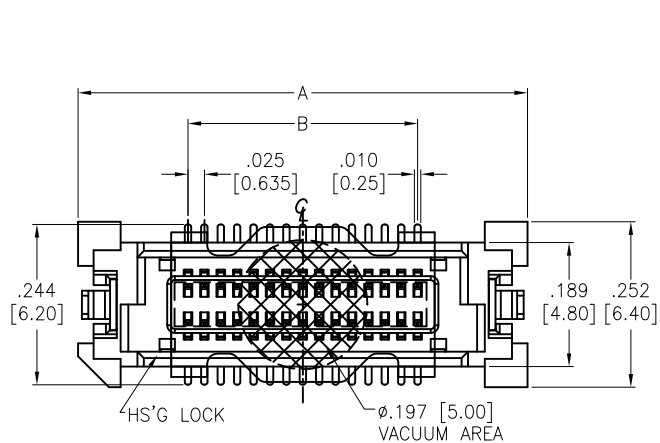


APPROVED: _____
 DATE: _____ TITLE: _____

Rev	AWO #	Description	Date	Appr
-		RELEASED	7/28/15	
A		UPDATE DRAWING	8/1/17	AY/NL



ADAM P/N	Mating Height	PLUG (H1)	SOCKET (K)	SOCKET X.XX (H2)
BB635-SW-XXX-MSG-4.00-PP-T/R	.236 [6.00]	.197 [5.00]	.126 [3.20]	.157 [4.00]
	.276 [7.00]	.236 [6.00]		
	.315 [8.00]	.276 [7.00]		
	.354 [9.00]	.315 [8.00]		
	.394 [10.00]	.354 [9.00]		
BB635-SW-XXX-MSG-10.00-PP-T/R	.472 [12.00]	.197 [5.00]	.362 [9.20]	.394 [10.00]
	.512 [13.00]	.236 [6.00]		
	.551 [14.00]	.276 [7.00]		
	.591 [15.00]	.315 [8.00]		
	.630 [16.00]	.354 [9.00]		

SPECIFICATIONS:

Material:

Insulator: Hi-Temp Thermoplastic, rated UL 94V-0

Insulator color: Black

Contacts: Phosphor Bronze

Fitting Nail: Brass, Tin plated

Plating:

Gold flash over Nickel underplate on contact area,

Matte Tin over Nickel underplate on solder tails

Electrical:

Current rating: 0.5A @ AC 100V

Contact resistance: Mating Height: 6~7mm: 60mΩ max

8~10mm: 70mΩ max

11~13mm: 80mΩ max

14~16mm: 90mΩ max

Insulation resistance: 1000MΩ min.

Temperature Rating:

Operating temperature: -55°C to +85°C

Environmental:

Lead free, RoHS compliant



PACKAGED ON TAPE & REEL

Positions: 20, 30, 40, 50, 60, 70, 80, 90, 100, 120, 140, 160

With HS'G LOCK: 20~70

A = .025 [0.635] x No. of Spaces + .335 [8.505]

B = .025 [0.635] x No. of Spaces

C = .025 [0.635] x No. of Spaces + .130 [3.305]

D = .025 [0.635] x No. of Spaces + .193 [4.905]

UNLESS OTHERWISE SPECIFIED
 ALL DIMENSIONS ARE INCHES [MM]
 TOLERANCES: EXCEPT AS NOTED

INCHES	HOLES
.X ± .10	Ø.X ± .10
.XX ± .020	Ø.XX ± .015
.XXX ± .015	Ø.XXX ± .010



TITLE
.025 [0.635] BOARD TO BOARD SOCKET
SMT TYPE, W/CAP

APPROVALS		DATE
DRAWN	AY	7/28/15
CHECKED	YC	7/28/15
APPROVED		

SIZE X	PART NO. BB635-SW-XXX-MSG-X.XX-PP-T/R	REV. A
REF: S00019C	SCALE: NTS	SHEET 1 OF 1