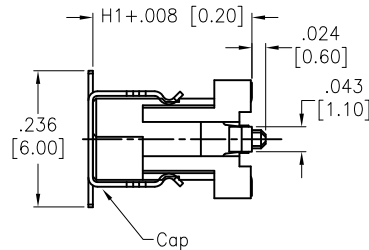
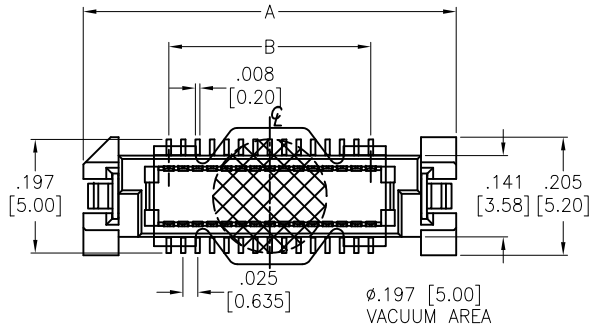
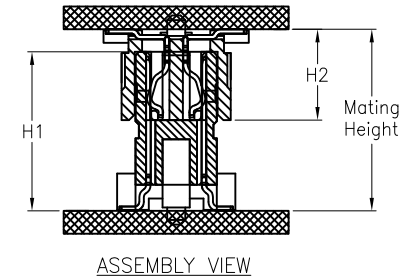
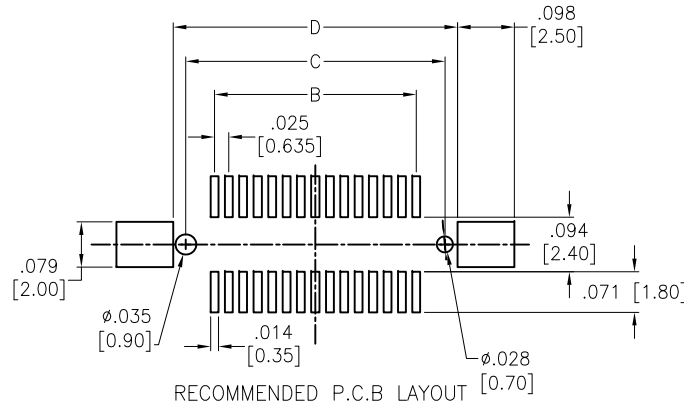
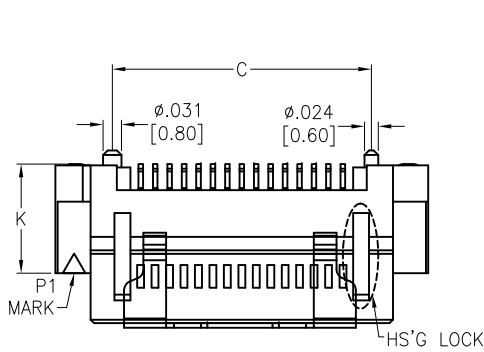


APPROVED: _____
 DATE: _____ TITLE: _____

Rev	AWO #	Description	Date	Appr
-		RELEASED	7/28/15	
A		UPDATE DRAWING	8/1/17	AY/NL



ADAM P/N	Mating Height	PLUG X.XX (H1)	PLUG (K)	SOCKET (H2)
BB635-PW-XXX-MSG-5.00-PP-T/R	.236 [6.00]	.197 [5.00]	.110 [2.80]	.157 [4.00]
BB635-PW-XXX-MSG-6.00-PP-T/R	.276 [7.00]	.236 [6.00]	.150 [3.80]	
BB635-PW-XXX-MSG-7.00-PP-T/R	.315 [8.00]	.276 [7.00]	.189 [4.80]	
BB635-PW-XXX-MSG-8.00-PP-T/R	.354 [9.00]	.315 [8.00]	.228 [5.80]	
BB635-PW-XXX-MSG-9.00-PP-T/R	.394 [10.00]	.354 [9.00]	.268 [6.80]	.394 [10.00]
BB635-PW-XXX-MSG-5.00-PP-T/R	.472 [12.00]	.197 [5.00]	.110 [2.80]	
BB635-PW-XXX-MSG-6.00-PP-T/R	.512 [13.00]	.236 [6.00]	.150 [3.80]	
BB635-PW-XXX-MSG-7.00-PP-T/R	.551 [14.00]	.276 [7.00]	.189 [4.80]	
BB635-PW-XXX-MSG-8.00-PP-T/R	.591 [15.00]	.315 [8.00]	.228 [5.80]	
BB635-PW-XXX-MSG-9.00-PP-T/R	.630 [16.00]	.354 [9.00]	.268 [6.80]	

SPECIFICATIONS:

Material:
 Insulator: Hi-Temp Thermoplastic, rated UL 94V-0
 Insulator color: Black
 Contacts: Phosphor Bronze
 Fitting Nail: Brass, Tin plated
 Plating:
 Gold flash over Nickel underplate on contact area,
 Matte Tin over Nickel underplate on solder tails
 Electrical:
 Current rating: 0.5A @ AC 100V
 Contact resistance: Mating Height: 6~7mm: 60m Ω max
 8~10mm: 70m Ω max
 11~13mm: 80m Ω max
 14~16mm: 90m Ω max

Insulation resistance: 1000M Ω min.
 Temperature Rating:
 Operating temperature: -55°C to +85°C
 Environmental:
 Lead free, RoHS compliant



PACKAGED ON TAPE & REEL
 Positions: 20, 30, 40, 50, 60, 70, 80, 90, 100, 120, 140, 160
 With HS'G LOCK: 20~70
 A = .025 [0.635] x No. of Spaces + .295 [7.505]
 B = .025 [0.635] x No. of Spaces
 C = .025 [0.635] x No. of Spaces + .099 [2.505]
 D = .025 [0.635] x No. of Spaces + .142 [3.605]

UNLESS OTHERWISE SPECIFIED ALL DIMENSIONS ARE INCHES [MM] TOLERANCES: EXCEPT AS NOTED			
INCHES HOLES			
.X ± .10	Ø.X ± .10	TITLE .025 [0.635] BOARD TO BOARD PLUG	
.XX ± .020	Ø.XX ± .015	SMT TYPE, W/CAP	
.XXX ± .015	Ø.XXX ± .010	APPROVALS DATE	
DRAWN AY	7/28/15	SIZE X	PART NO. BB635-PW-XXX-MSG-X.XX-PP-T/R
CHECKED YC	7/28/15	REV. A	REF: S00019C
APPROVED		SCALE: NTS	SHEET 1 OF 1