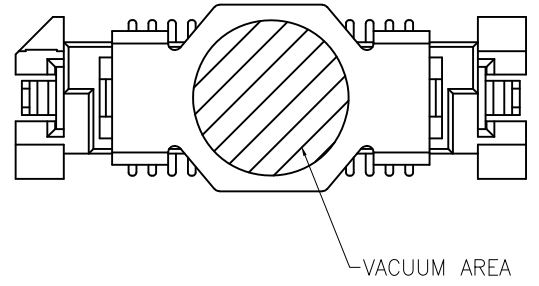
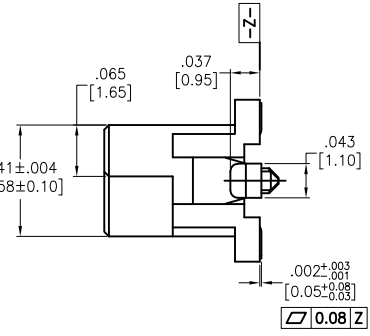
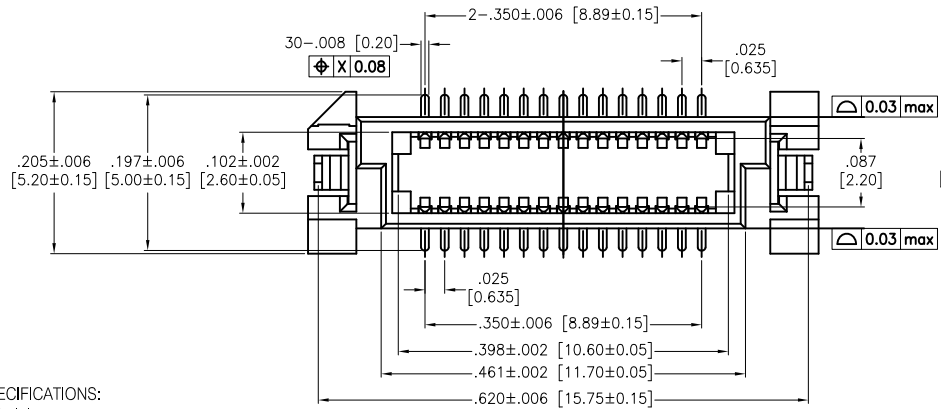
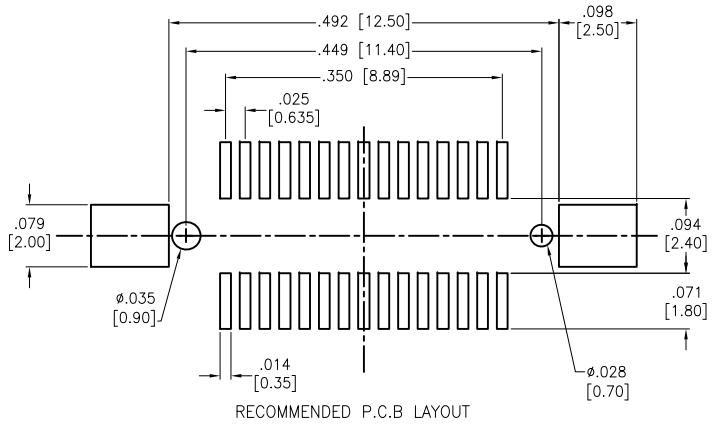
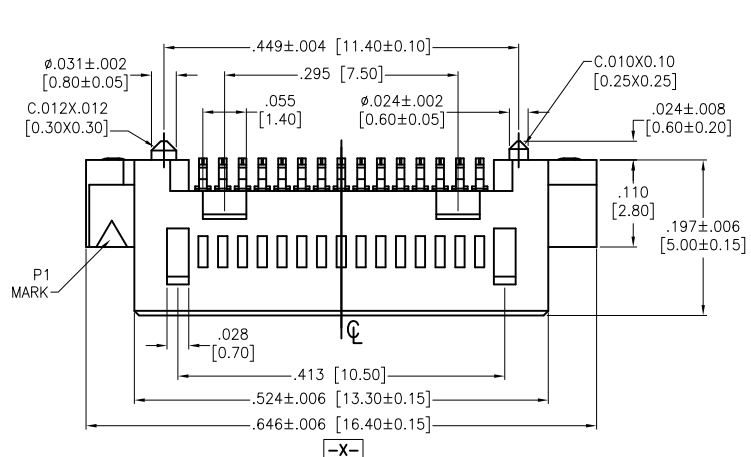


APPROVED: \_\_\_\_\_  
 DATE: \_\_\_\_\_ TITLE: \_\_\_\_\_

Rev	AWO #	Description	Date	Appr
C	AN13739	UPDATED DRAWING	8/30/17	AY/TW
D	AN13739	UPDATED PACKAGE	09/03/17	TW/GD



**SPECIFICATIONS:**  
 Material:  
 Insulator: Hi-Temp Thermoplastic, rated UL 94V-0  
 Insulator color: Black  
 Contacts: Phosphor Bronze  
 Fitting Nail: Brass, Tin plated  
 Plating:  
 Gold flash over Nickel underplate on contact area,  
 Matte Tin over Copper underplate on solder tails  
 Electrical:  
 Current rating: 0.5A @ AC 100V  
 Contact resistance: Mating Height: 6~7mm: 60mΩ max  
 8~10mm: 70mΩ max  
 11~13mm: 80mΩ max  
 14~16mm: 90mΩ max  
 Insulation resistance: 1000MΩ min.  
 Temperature Rating:  
 Operating temperature: -55°C to +105°C  
 Environmental:  
 Lead free, RoHS compliant



PACKAGED ON TAPE & REEL

UNLESS OTHERWISE SPECIFIED ALL DIMENSIONS ARE INCHES [MM] TOLERANCES: EXCEPT AS NOTED		
INCHES		
.X	± .10	∅X ± .10
.XX	± .020	∅XX ± .015
.XXX	± .015	∅XXX ± .010
HOLES		
APPROVALS		DATE
DRAWN	AY	11/8/16
CHECKED	TW	11/8/16
APPROVED		

TITLE  
**.025 [0.635] BOARD TO BOARD PLUG**  
 SMT TYPE, W/CAP

SIZE X	PART NO. BB635-PW-030-MSG-5.00-PP-T/R	REV. D
REF: S00181C	SCALE: NTS	SHEET 1 OF 2

6

5

4

3

2

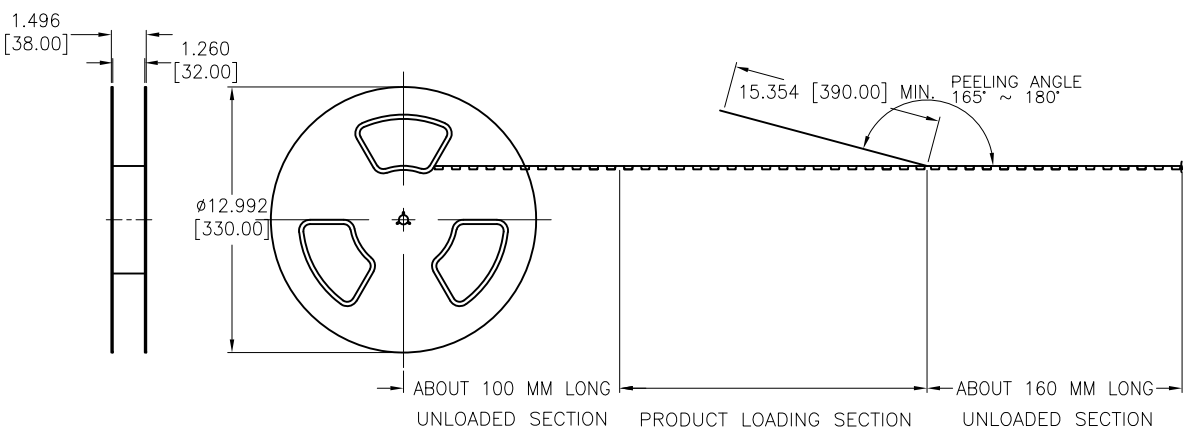
1

Rev	AWO #	Description	Date	Appr
SEE SHT 1 OF 2 FOR REVISION				

APPROVED: \_\_\_\_\_  
 DATE: \_\_\_\_\_ TITLE: \_\_\_\_\_

D

D



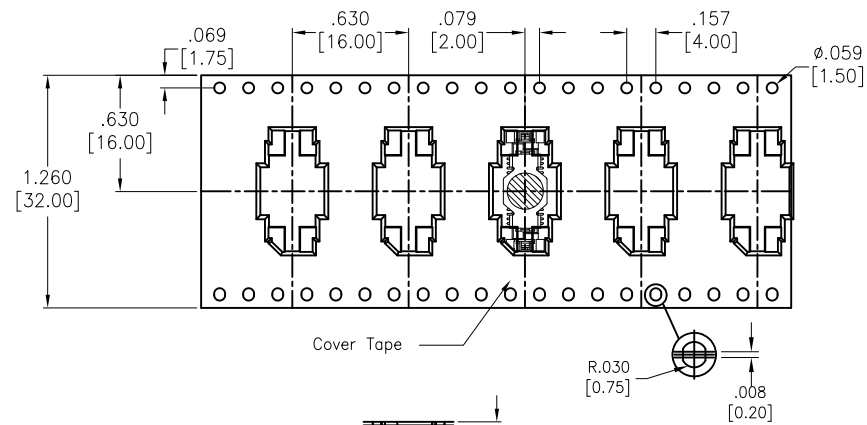
C

C

USER DIRECTION OF UNREELING →

B

B

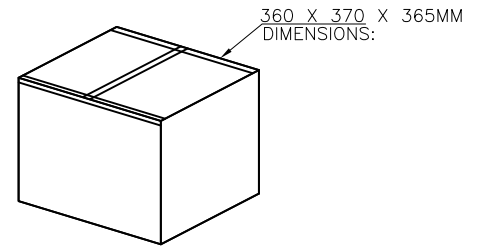
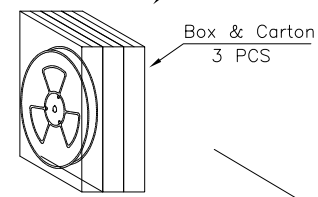
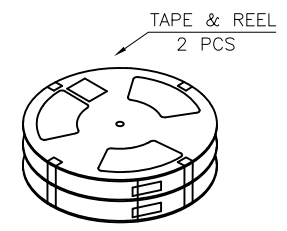
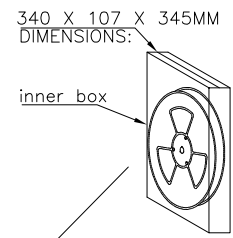


NOTE:

- MATERIAL:  
 BOX: FIBREBOARD, CORRUGATED, DOUBLE WALL  
 TAPE: POLYSTYRENES, HEAT-RESISTANT TEMPERATURE: 120°C, BLACK COLOR.  
 REEL: POLYSTYRENES, HEAT-RESISTANT TEMPERATURE: 70°C, BLUE COLOR.  
 BAG: POLYETHYLENE, HEAT-RESISTANT TEMPERATURE: 100°C.
- PEELING STRENGTH: 0.1 ~ 1.3 N (10 ~ 130 GRAMS)
- PEELING SPEED: 300 mm/min.
- EACH BAG SHALL BE INCLUDED DESICCANT.

A

A



800	5	4000		
PCS/TAPE	REELS/BOX	QUANTITY	NET WEIGHT	GROSS WEIGHT

UNLESS OTHERWISE SPECIFIED ALL DIMENSIONS ARE INCHES [MM] TOLERANCES: EXCEPT AS NOTED		
INCHES HOLES		
.X ± .10	Ø.X ± .10	
.XX ± .020	Ø.XX ± .015	
.XXX ± .015	Ø.XXX ± .010	
APPROVALS		DATE
DRAWN	AY	11/8/16
CHECKED	TW	11/8/16
APPROVED		

TITLE  
 .025 [0.635] BOARD TO BOARD PLUG  
 SMT TYPE, W/CAP

SIZE X	PART NO. BB635-PW-030-MSG-5.00-PP-T/R	REV. D
REF: S00181C	SCALE: NTS	SHEET 2 OF 2

6

5

4

3

2

1