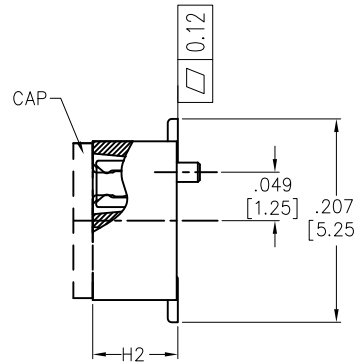
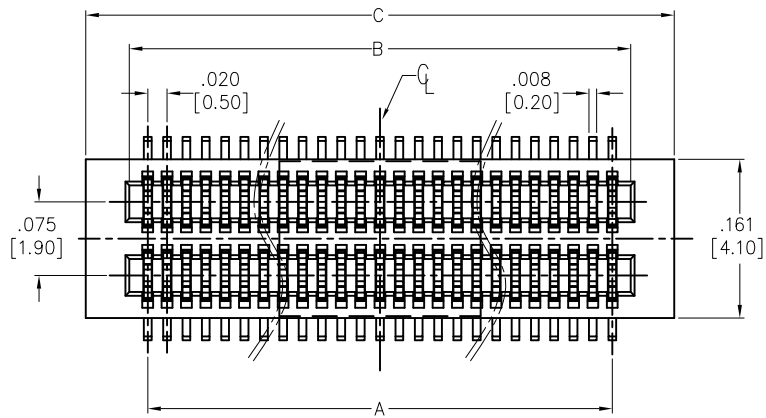
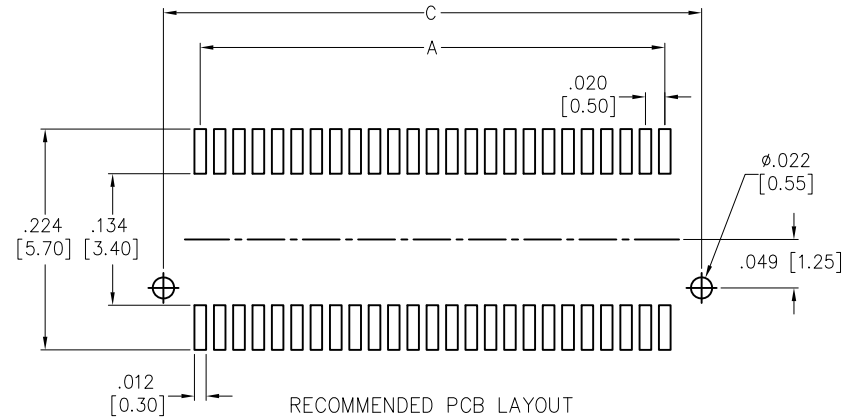
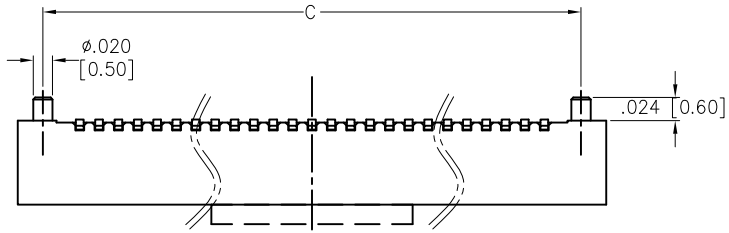


APPROVED: \_\_\_\_\_  
 DATE: \_\_\_\_\_ TITLE: \_\_\_\_\_

Rev	AWO #	Description	Date	Appr
-		RELEASED	11/11/15	
A		UPDATE SPEC.	12/1/15	AY/GC



ADAM P/N	DIM. H2 (X.XX)	Plug DIM. H1 (X.XX)	Mating Height
BB5-SW-XXX-G-2.20-PP-T/R	.087 [2.20]	.031 [0.80]	.118 [3.00]
BB5-SW-XXX-G-2.70-PP-T/R	.106 [2.70]	.031 [0.80]	.138 [3.50]
BB5-SW-XXX-G-3.00-PP-T/R	.118 [3.00]	.039 [1.00]	.157 [4.00]
BB5-SW-XXX-G-3.00-PP-T/R	.118 [3.00]	.059 [1.50]	.177 [4.50]
BB5-SW-XXX-G-4.00-PP-T/R	.157 [4.00]	.059 [1.50]	.217 [5.50]
BB5-SW-XXX-G-3.00-PP-T/R	.118 [3.00]	.079 [2.00]	.197 [5.00]
BB5-SW-XXX-G-4.00-PP-T/R	.157 [4.00]	.079 [2.00]	.236 [6.00]
BB5-SW-XXX-G-4.50-PP-T/R	.157 [4.50]	.079 [2.00]	.256 [6.50]

Mated with: BB5-PW-XXX-G-X.XX-PP-T/R

PACKAGED ON TAPE & REEL

Positions: Asking for available contacts

A = .020 [0.50] x No. of Spaces

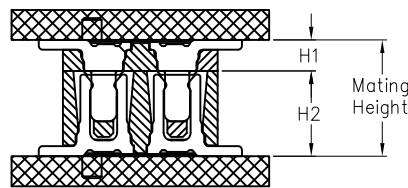
B = .020 [0.50] x No. of Spaces + .035 [0.88]

C = .020 [0.50] x No. of Spaces + .075 [1.90]

D = .020 [0.50] x No. of Spaces + .126 [3.20]

SPECIFICATIONS:

Material:  
 Insulator: Hi-Temp Thermoplastic, rated UL 94V-0  
 Insulator color: Natural  
 Contacts: Phosphor Bronze  
 Plating:  
 Gold flash over Nickel underplate overall  
 Electrical:  
 Operating voltage: 50 VAC/DC  
 Current rating: 0.5 A  
 Contact resistance: 50 mohms max.  
 Insulation resistance: 100 Mohms min.  
 Temperature Rating:  
 Operating temperature: -20°C to +105°C  
 Environmental:  
 Lead free, RoHS compliant



ASSEMBLY VIEW



UNLESS OTHERWISE SPECIFIED  
 ALL DIMENSIONS ARE INCHES [MM]  
 TOLERANCES: EXCEPT AS NOTED

INCHES		HOLES	
.X	± .10	∅.X	± .10
.XX	± .020	∅.XX	± .015
.XXX	± .015	∅.XXX	± .010

APPROVALS		DATE
DRAWN	AY	11/11/15
CHECKED	GC	11/11/15
APPROVED		



TITLE		
.020 [0.50] BOARD TO BOARD SOCKET, 087 [2.20] HEIGHT, SMT TYPE, W/CAP		
SIZE	PART NO.	REV.
X	BB5-SW-XXX-G-X.XX-PP-T/R	A
REF:	S00019C	SCALE: NTS
SHEET 1 OF 1		