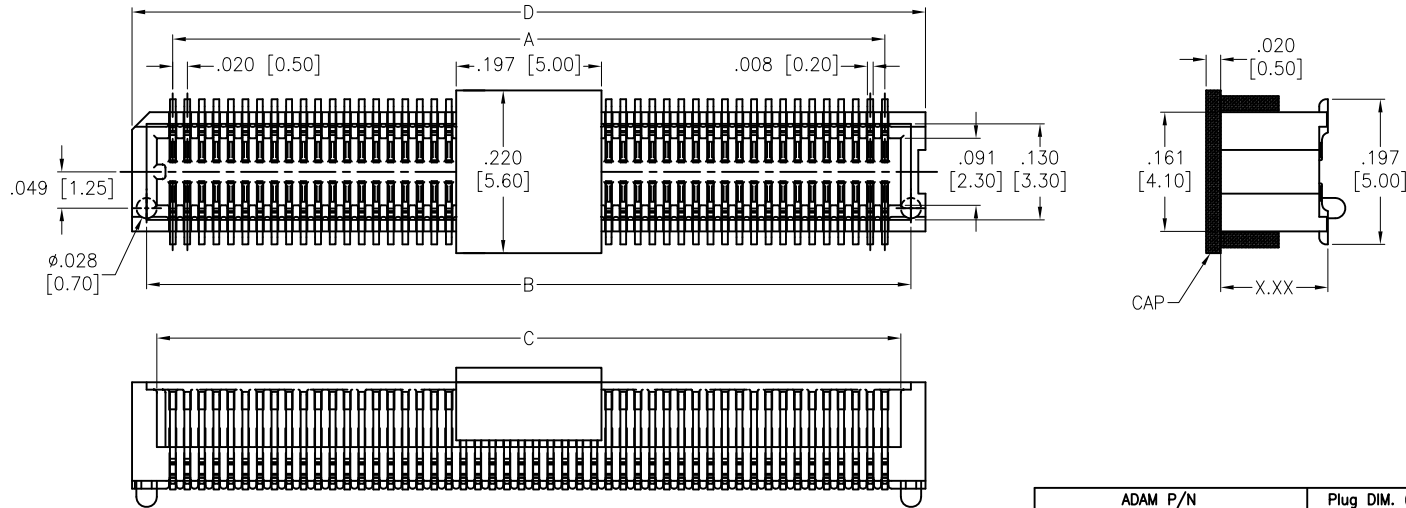


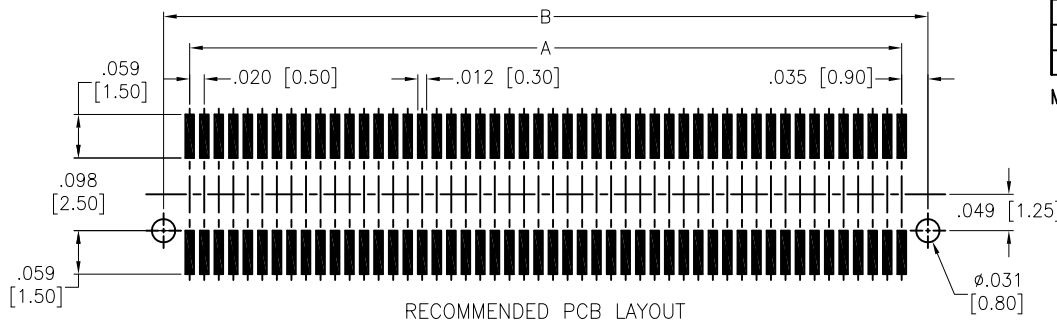
APPROVED: _____
 DATE: _____ TITLE: _____

Rev	AWO #	Description	Date	Appr
-		RELEASED	11/4/16	
A		UPDATED DRAWING	3/2/17	HR/MY



ADAM P/N	Plug DIM. (X.XX)	DIM.(X.XX)	Mating Height
BB5-SL-XXX-G-2.74-PP-T/R	.094 [2.40]	.108 [2.74]	.146 [3.70]
BB5-SL-XXX-G-2.74-PP-T/R	.108 [2.74]	.108 [2.74]	.159 [4.05]
BB5-SL-XXX-G-3.70-PP-T/R	.094 [2.40]	.146 [3.70]	.183 [4.65]
BB5-SL-XXX-G-3.70-PP-T/R	.108 [2.74]	.146 [3.70]	.197 [5.00]

Mated with: BB5-PL-XXX-G-X.XX-PP-T/R



RECOMMENDED PCB LAYOUT

PACKAGED ON TAPE & REEL

Positions: 20 thru 100

- A= .020 [0.50] x No. of Space
- B= .020 [0.50] x No. of Space + .071 [1.80]
- C= .020 [0.50] x No. of Space + .043 [1.10]
- D= .020 [0.50] x No. of Space + .110 [2.80]

SPECIFICATIONS:

Material:
 Insulator: Hi-Temp thermoplastic, rated UL 94V-0
 Insulator color: Black
 Contacts: Copper Alloy
 Plating:
 Gold flash over Nickel underplate overall
 Electrical:
 Voltage: 50 V
 Current: 0.5 A
 Contact resistance: 40 mohms max.
 Insulation resistance: 100 Mohms min
 Dielectric withstanding voltage: 500 VAC for 1 minute
 Temperature Rating:
 Temperature: -20°C to +105°C
 Environmental:
 Lead free, RoHS compliant



UNLESS OTHERWISE SPECIFIED
 ALL DIMENSIONS ARE INCHES [MM]
 TOLERANCES: EXCEPT AS NOTED
 INCHES HOLES
 .X ± .10 Ø.X ± .10
 .XX ± .020 Ø.XX ± .015
 .XXX ± .015 Ø.XXX ± .010



APPROVALS		DATE
DRAWN	HR	11/4/16
CHECKED	MW	11/4/16
APPROVED		

TITLE .020 [0.50] PITCH BOARD TO BOARD SOCKET CONNECTOR, SMT TYPE, W/ CAP		
SIZE X	PART NO. BB5-SL-XXX-G-X.XX-PP-T/R	REV. A
REF: S00070T	SCALE: NTS	SHEET 1 OF 1