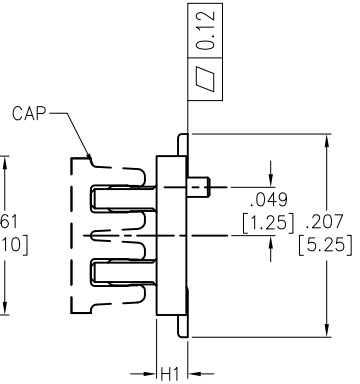
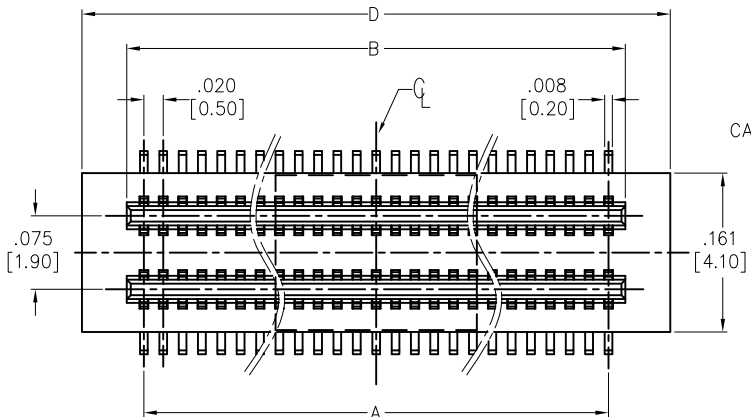
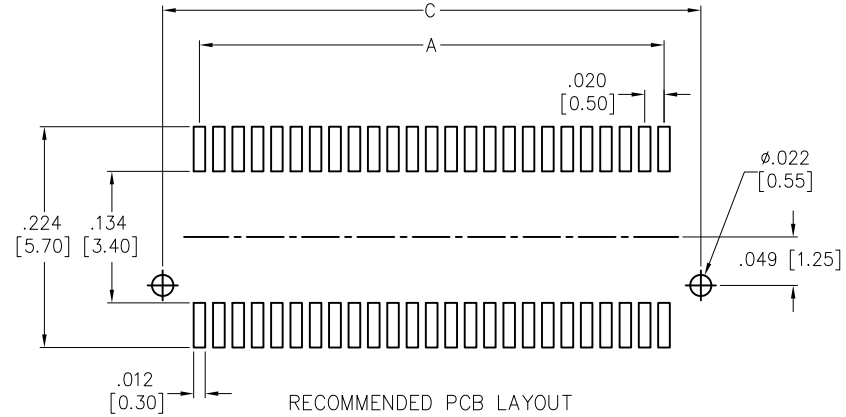
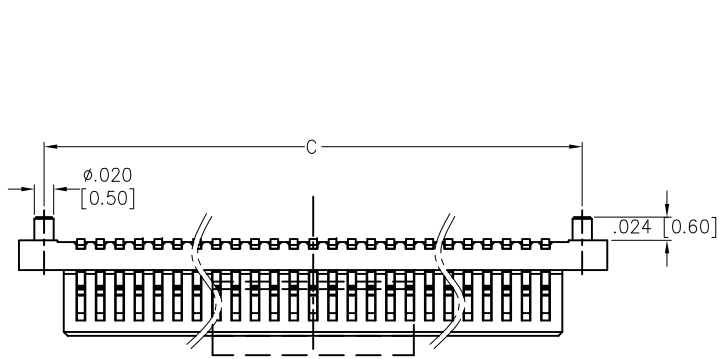


APPROVED: _____
 DATE: _____ TITLE: _____

Rev	AWO #	Description	Date	Appr
-		RELEASED	11/11/15	
A		UPDATE SPEC.	12/1/15	AY/GC

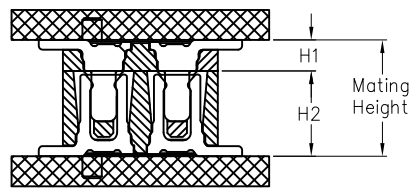


ADAM P/N	DIM. H1 (X.XX)	SOCKET DIM. H2(X.XX)	Mating Height
BB5-PW-XXX-G-0.80-PP-T/R	.031 [0.80]	.087 [2.20]	.118 [3.00]
BB5-PW-XXX-G-0.80-PP-T/R	.031 [0.80]	.106 [2.70]	.138 [3.50]
BB5-PW-XXX-G-1.00-PP-T/R	.039 [1.00]	.118 [3.00]	.157 [4.00]
BB5-PW-XXX-G-1.50-PP-T/R	.059 [1.50]	.118 [3.00]	.177 [4.50]
BB5-PW-XXX-G-1.50-PP-T/R	.059 [1.50]	.157 [4.00]	.217 [5.50]
BB5-PW-XXX-G-2.00-PP-T/R	.079 [2.00]	.118 [3.00]	.197 [5.00]
BB5-PW-XXX-G-2.00-PP-T/R	.079 [2.00]	.157 [4.00]	.236 [6.00]
BB5-PW-XXX-G-2.00-PP-T/R	.079 [2.00]	.157 [4.50]	.256 [6.50]

Mated with: BB5-SW-XXX-G-X.XX-PP-T/R

SPECIFICATIONS:

Material:
 Insulator: Hi-Temp Thermoplastic, rated UL 94V-0
 Insulator color: Natural
 Contacts: Phosphor Bronze
 Plating:
 Gold flash over Nickel underplate overall
 Electrical:
 Operating voltage: 50 VAC/DC
 Current rating: 0.5 A
 Contact resistance: 50 mohms max.
 Insulation resistance: 100 Mohms min.
 Temperature Rating:
 Operating temperature: -20°C to +105°C
 Environmental:
 Lead free, RoHS compliant



ASSEMBLY VIEW



PACKAGED ON TAPE & REEL

Positions: Asking for available contacts

- A = .020 [0.50] x No. of Spaces
- B = .020 [0.50] x No. of Spaces + .035 [0.88]
- C = .020 [0.50] x No. of Spaces + .075 [1.90]
- D = .020 [0.50] x No. of Spaces + .126 [3.20]

UNLESS OTHERWISE SPECIFIED
 ALL DIMENSIONS ARE INCHES [MM]
 TOLERANCES: EXCEPT AS NOTED

INCHES	HOLES
.X ± .10	ØX ± .10
.XX ± .020	ØXX ± .015
.XXX ± .015	ØXXX ± .010



APPROVALS		DATE
DRAWN	AY	11/11/15
CHECKED	GC	11/11/15
APPROVED		

TITLE		
.020 [0.50] BOARD TO BOARD PLUG		
.031 [0.80] HEIGHT, SMT TYPE, W/CAP		
SIZE	PART NO.	REV.
X	BB5-PW-XXX-G-X.XX-PP-T/R	A
REF:	S00019C	SCALE: NTS
		SHEET 1 OF 1