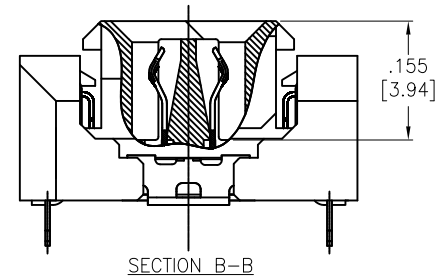
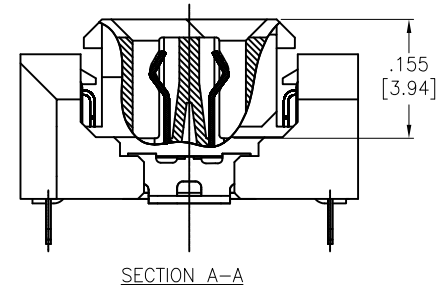
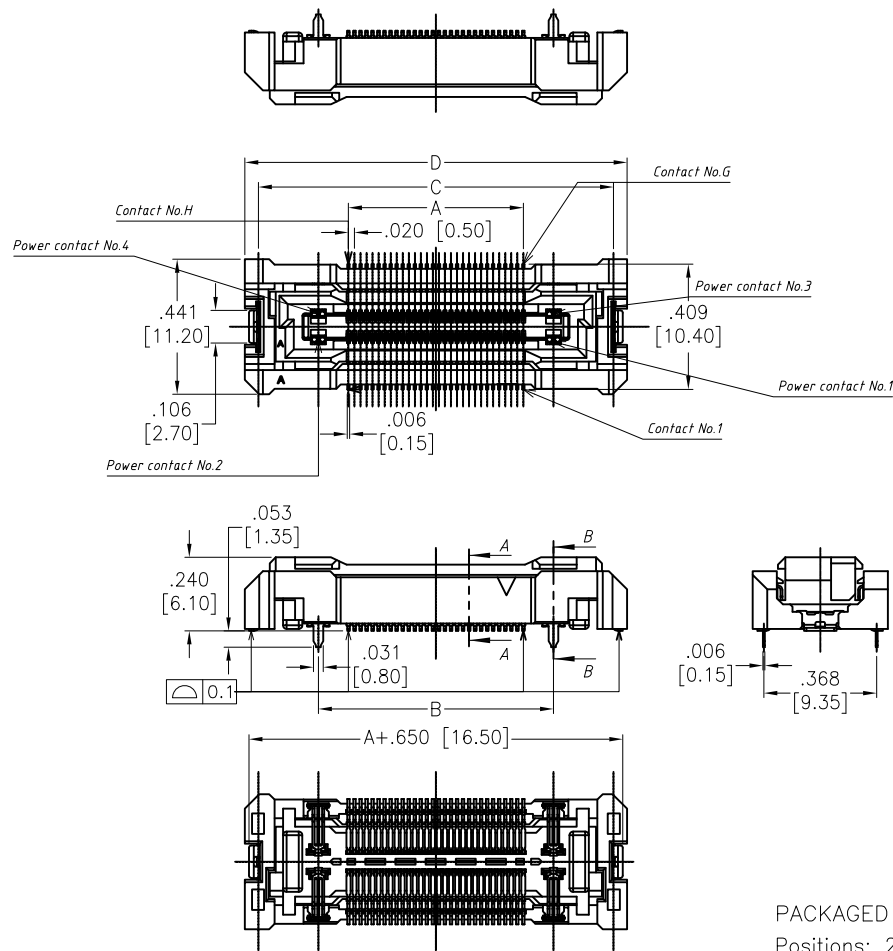


APPROVED: _____

DATE: _____ TITLE: _____

Rev	AWO #	Description	Date	Appr
-		RELEASED	10/8/24	



PACKAGED ON TAPE & REEL

Positions: 20, 30, 30, 40, 50, 60, 80, 100, 120

A= .020 [0.50] x No. of Space

B= .020 [0.50] x No. of Space + .197 [5.00]

C= .020 [0.50] x No. of Space + .589 [14.95]

D= .020 [0.50] x No. of Space + .677 [17.20]

E= .020 [0.50] x No. of Space + .654 [16.61]

SPECIFICATIONS:

Material:

Insulator: Polyamide, rated UL 94V-0

Insulator color: Black

Guide: Polyamide, rated UL 94V-0, Color: Black

Cap: Polyamide, rated UL 94V-0, Color: Black

Signal Contacts: Copper Alloy

Power Contacts: Copper Alloy

Hook: Copper Alloy, Tin Plated

Plating:

Signal Contacts:

Gold over Nickel underplate on contact area,

Gold Flash over Nickel underplate overall

Power Contacts:

Gold Flash over Nickel underplate on contact area,

Tin over Nickel underplate on solder tails

Environmental:

Lead free, RoHS compliant.



UNLESS OTHERWISE SPECIFIED ALL DIMENSIONS ARE INCHES [MM]. TOLERANCES: EXCEPT AS NOTED

INCHES		HOLES	
.x	± .10	Øx	±.10
.xx	± .020	Øxx	±.015
.xxx	± .015	Øxxx	±.010

DRAWN	LH	10/8/24
CHECKED	JL	10/8/24
APPROVED		

THIS DRAWING CONTAINS INFORMATION THAT IS PROPRIETARY AND SHOULD NOT BE USED WITHOUT PRIOR WRITTEN PERMISSION FROM ADAM TECH



TITLE
.020 [0.50] PITCH BOARD TO BOARD SOCKET
I/O SMT FLOATING CONNECTOR

SIZE X	PART NO. BB5-FSW-XXX-SG-6.10-PP-T/R	REV. -
REF: -	SCALE: NTS	SHEET 1 OF 2

6

5

4

3

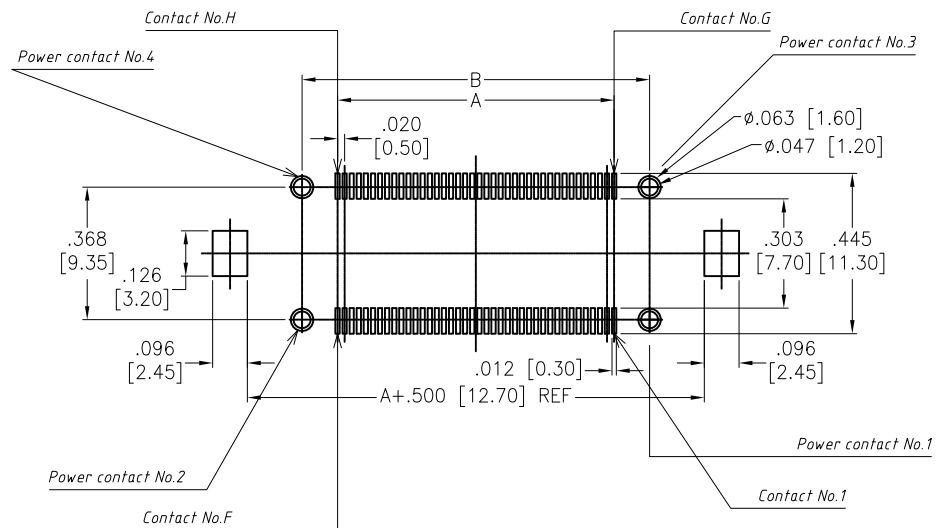
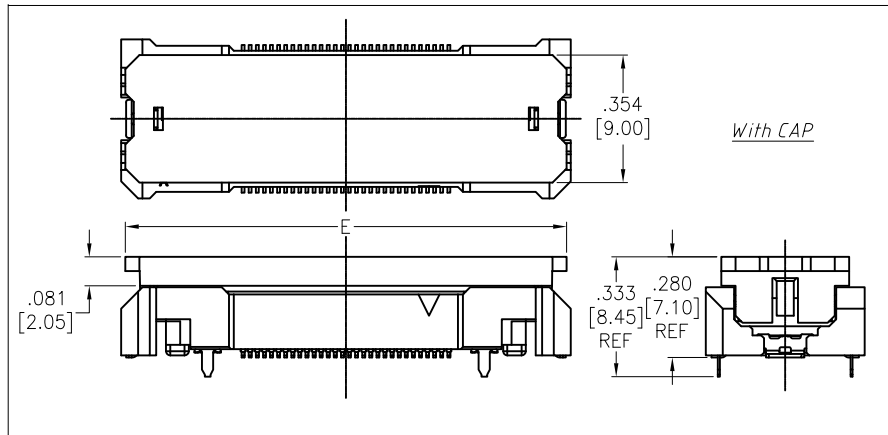
2

1

APPROVED: _____

DATE: _____ TITLE: _____

Rev	AWO #	Description	Date	Appr
SEE SHT 1 OF 2 FOR REVISION				



Recommended land pattern dimension of PCB
(PCB thickness: T=16mm)

UNLESS OTHERWISE SPECIFIED ALL DIMENSIONS ARE INCHES [MM]. TOLERANCES: EXCEPT AS NOTED

INCHES		HOLES	
.X	± .10	ØX	±.10
.XX	± .020	ØXX	±.015
.XXX	± .015	ØXXX	±.010

DRAWN	LH	10/8/24
CHECKED	JL	10/8/24
APPROVED		

THIS DRAWING CONTAINS INFORMATION THAT IS PROPRIETARY AND SHOULD NOT BE USED WITHOUT PRIOR WRITTEN PERMISSION FROM ADAM TECH

ADAM TECH

909 Rahway Avenue,
Union, NJ 07083
Phone: 908-687-5000
Fax: 908-687-5710

TITLE .020 [0.50] PITCH BOARD TO BOARD SOCKET I/O SMT FLOATING CONNECTOR		
SIZE X	PART NO. BB5-FSW-XXX-SG-6.10-PP-T/R	REV. -
REF: -	SCALE: NTS	SHEET 2 OF 2

6

5

4

3

2

1