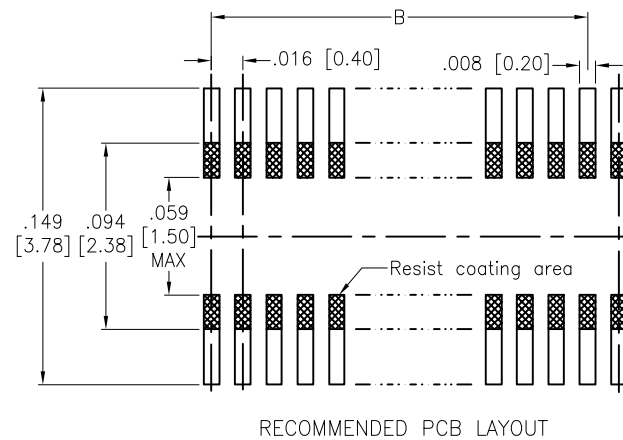
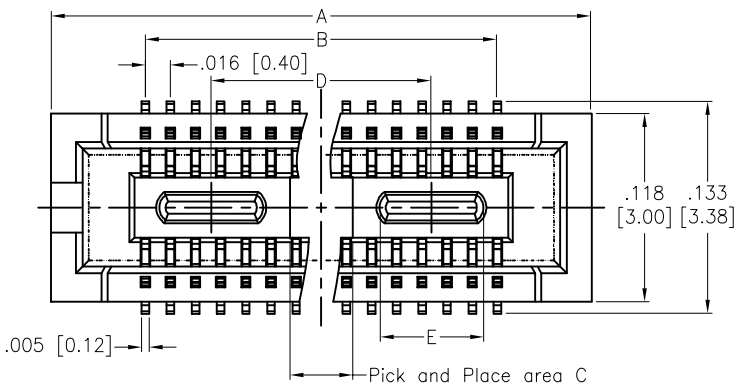


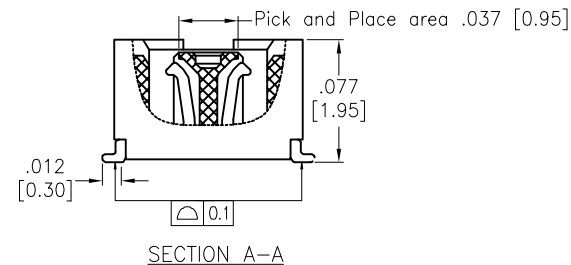
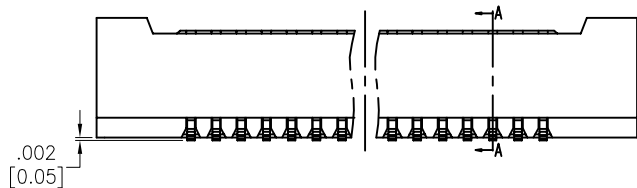
APPROVED: _____

DATE: _____ TITLE: _____

Rev	AWO #	Description	Date	Appr
-		RELEASED	12/20/22	



RECOMMENDED PCB LAYOUT



PACKAGED ON TAPE & REEL

ADAM-P/N	A	B	C	D	E
BB4-SW-020-G-1.95-NP-15-T/R	.260 [6.60]	.142 [3.60]	.039 [1.00]	.096 [2.45]	.041 [1.05]
BB4-SW-024-G-1.95-NP-15-T/R	.291 [7.40]	.173 [4.40]	.039 [1.00]	.100 [2.55]	.041 [1.05]
BB4-SW-030-G-1.95-NP-15-T/R	.339 [8.60]	.220 [5.60]	.059 [1.50]	.138 [3.50]	.065 [1.65]
BB4-SW-040-G-1.95-NP-15-T/R	.417 [10.60]	.299 [7.60]	.126 [3.20]	.207 [5.25]	.065 [1.65]
BB4-SW-050-G-1.95-NP-15-T/R	.496 [12.60]	.378 [9.60]	.126 [3.20]	.215 [5.45]	.065 [1.65]
BB4-SW-060-G-1.95-NP-15-T/R	.575 [14.60]	.457 [11.60]	.126 [3.20]	.215 [5.45]	.065 [1.65]
BB4-SW-070-G-1.95-NP-15-T/R	.654 [16.60]	.535 [13.60]	.126 [3.20]	.274 [6.95]	.065 [1.65]
BB4-SW-080-G-1.95-NP-15-T/R	.732 [18.60]	.614 [15.60]	.126 [3.20]	.352 [8.95]	.065 [1.65]

SPECIFICATIONS:

Material:
 Insulator: Hi-Temp Thermoplastic, rated UL 94V-0
 Insulator color: Black
 Contacts: Copper Alloy
 Plating:
 15u" Gold over Nickel underplate overall
 Electrical:
 Voltage rating: 30 VAC
 Current rating: 0.3 A
 Contact resistance: 90 mohms max
 Insulation resistance: 50 Mohms min
 Dielectric withstanding voltage: 100 VAC
 Temperature Rating:
 Operating temperature: -40°C to +105°C
 Environmental:
 Lead free, RoHS compliant



UNLESS OTHERWISE SPECIFIED ALL DIMENSIONS ARE INCHES [MM]. TOLERANCES: EXCEPT AS NOTED

INCHES		HOLES	
.X	± .10	ØX	±.10
.XX	± .020	ØXX	±.015
.XXX	± .015	ØXXX	±.010



DRAWN	JJ	12/20/22
CHECKED	RL	12/20/22
APPROVED		

TITLE
 .016 [0.40] BOARD TO BOARD SOCKET
 15u" GOLD PLATED, 1.95MM HEIGHT

THIS DRAWING CONTAINS INFORMATION THAT IS PROPRIETARY AND SHOULD NOT BE USED WITHOUT PRIOR WRITTEN PERMISSION FROM ADAM TECH

SIZE X	PART NO. BB4-SW-XXX-G-1.95-NP-15-T/R	REV. -
REF: S00019C	SCALE: NTS	SHEET 1 OF 1