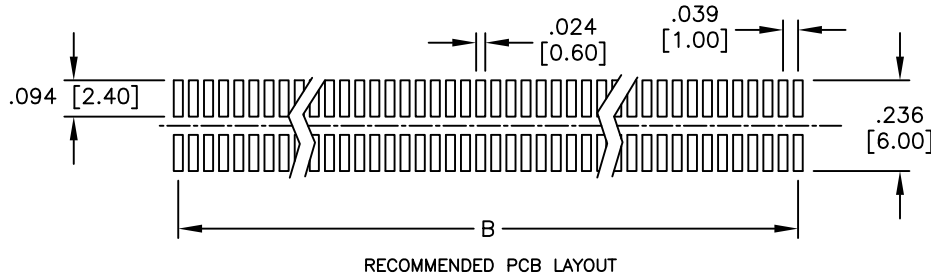
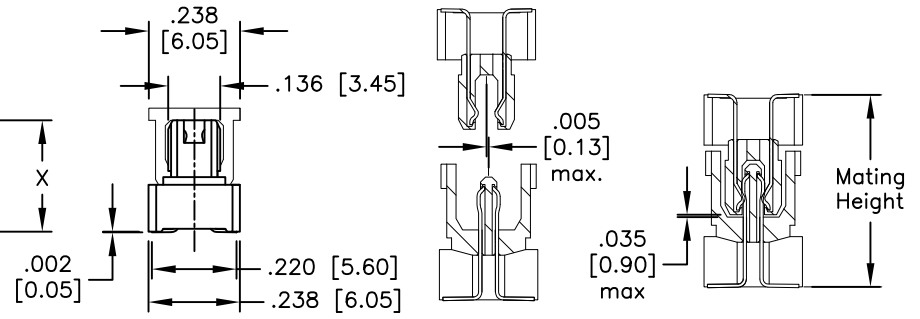
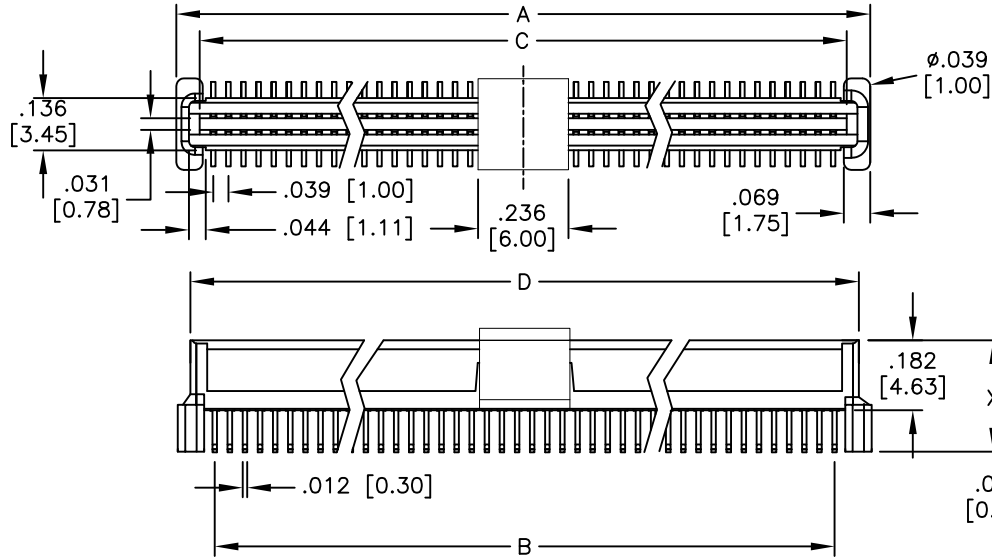


APPROVED: _____
 DATE: _____ TITLE: _____

Rev	AWO #	Description	Date	Appr
-		RELEASED	6/18/14	
A		ADDED ASSEMBLY VIEW	6/25/15	HR/SY
B		UPDATE DRAWING	3/10/16	AY/MY



ADAM P/N	X	Plug Height	Mating Height
BB10-SO-XXX-G-5.37-NP-PP-T/R	.211 [5.37]	.250 [6.35]	.315 [8.00]
		.289 [7.35]	.354 [9.00]
BB10-SO-XXX-G-7.37-NP-PP-T/R	.290 [7.37]	.250 [6.35]	.394 [10.00]
		.328 [8.35]	.472 [12.00]
BB10-SO-XXX-G-8.37-NP-PP-T/R	.330 [8.37]	.250 [6.35]	.433 [11.00]
		.289 [7.35]	.472 [12.00]
BB10-SO-XXX-G-10.37-NP-PP-T/R	.408 [10.37]	.328 [8.35]	.513 [13.00]
		.250 [6.35]	.513 [13.00]
		.289 [7.35]	.551 [14.00]
		.328 [8.35]	.591 [15.00]

Mated with: BB10-PO-XXX-G-X.XX-PP-T/R
 BB10-PO-XXX-G-X.XX-NP-PP-T/R

PACKAGED ON TAPE & REEL

A = .039 [1.00] x (No. of Positions per row) + .154 [3.90]
 B = .039 [1.00] x (No. of Positions per row) - .039 [1.00]
 C = .039 [1.00] x (No. of Positions per row) + .031 [0.80]
 D = .039 [1.00] x (No. of Positions per row) + .087 [2.22]

SPECIFICATIONS:

Material:
 Insulator: Hi-temp thermoplastic, rated UL 94V-0
 Insulator color: Black
 Contacts: Copper Alloy
 Plating:
 Gold flash over Nickel underplate overall.
 Electrical:
 Current rating: 0.5 Amps
 Contact resistance: 40 mohms max @ DC 1mA
 Insulation resistance: 100 Mohms min @ DC 100V
 Dielectric withstanding voltage: AC 500V for 1 minute
 Temperature Rating:
 Operating Temperature: -40°C to +85°C
 Environmental:
 Lead free, RoHS compliant



UNLESS OTHERWISE SPECIFIED
 ALL DIMENSIONS ARE INCHES [MM]
 TOLERANCES: EXCEPT AS NOTED

INCHES		HOLES	
.X	± .10	ϕ X	± .10
.XX	± .020	ϕ .XX	± .015
.XXX	± .015	ϕ .XXX	± .010



APPROVALS		DATE
DRAWN	HR	6/18/14
CHECKED	NP	6/18/14
APPROVED		

TITLE .039 [1.00] BOARD TO BOARD SOCKET, SMT TYPE, W/O PEG		
SIZE X	PART NO. BB10-SO-XXX-G-X.XX-NP-PP-T/R	REV. B
REF: S00058T	SCALE: NTS	SHEET 1 OF 1