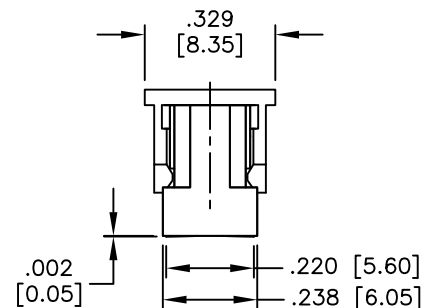
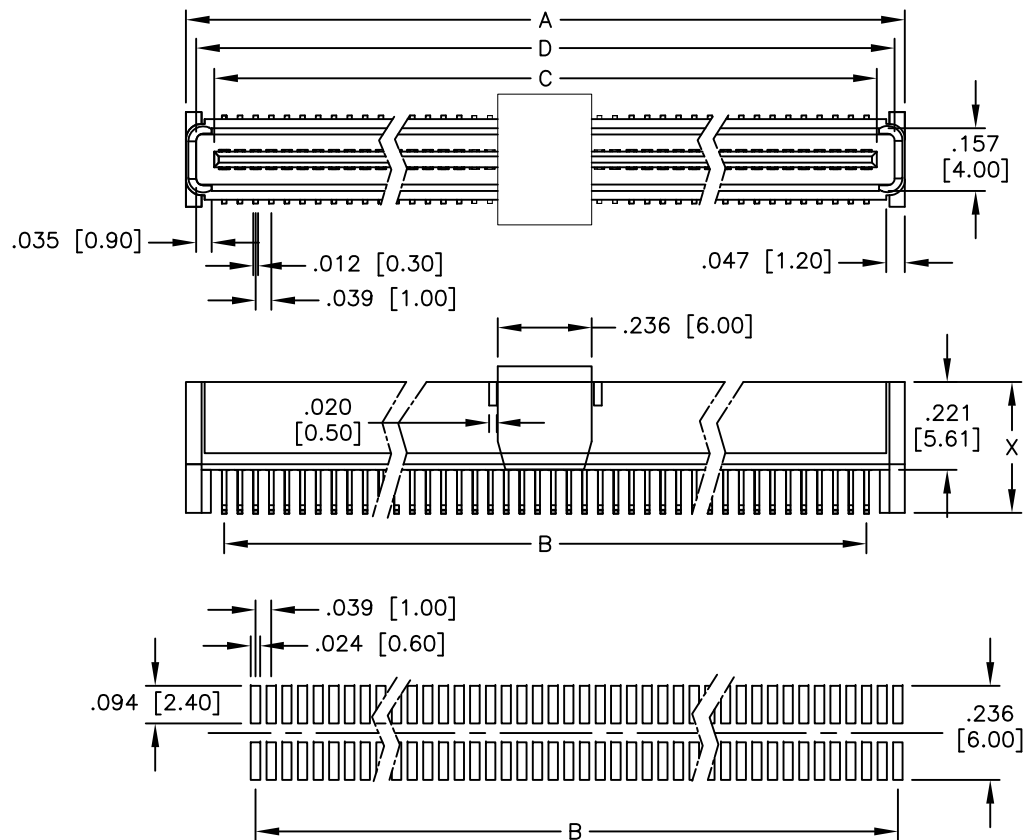


APPROVED: \_\_\_\_\_  
 DATE: \_\_\_\_\_ TITLE: \_\_\_\_\_

Rev	AWO #	Description	Date	Appr
-		RELEASED	6/18/14	
A		UPDATE DRAWING	3/10/16	AY/MY



ADAM P/N	X
BB10-PO-XXX-G-6.35-NP-PP-T/R	.250 [6.35]
BB10-PO-XXX-G-7.35-NP-PP-T/R	.289 [7.35]
BB10-PO-XXX-G-8.35-NP-PP-T/R	.329 [8.35]

RECOMMENDED PCB LAYOUT

SPECIFICATIONS:

Material:  
 Insulator: Hi-temp thermoplastic, rated UL 94V-0  
 Insulator color: Black  
 Contacts: Copper Alloy  
 Plating:  
 Gold flash over Nickel underplate overall.  
 Electrical:  
 Current rating: 0.5 Amps  
 Contact resistance: 40 mohms max @ DC 1mA  
 Insulation resistance: 100 Mohms min @ DC 100V  
 Dielectric withstanding voltage: AC 500V for 1 minute  
 Temperature Rating:  
 Operating Temperature: -40°C to +85°C  
 Environmental:  
 Lead free, RoHS compliant



PACKAGED ON TAPE & REEL

A = .039 [1.00] x (No. of Positions per row) + .154 [3.90]  
 B = .039 [1.00] x (No. of Positions per row) - .039 [1.00]  
 C = .039 [1.00] x (No. of Positions per row) + .012 [0.30]  
 D = .039 [1.00] x (No. of Positions per row) + .094 [2.38]

UNLESS OTHERWISE SPECIFIED  
 ALL DIMENSIONS ARE INCHES [MM]  
 TOLERANCES: EXCEPT AS NOTED

INCHES		HOLES	
.X	± .10	∅X	± .10
.XX	± .020	∅XX	± .015
.XXX	± .015	∅XXX	± .010



TITLE  
 .039 [1.00] BOARD TO BOARD PLUG,  
 SMT TYPE, W/O PEG

APPROVALS		DATE
DRAWN	HR	6/18/14
CHECKED	NP	6/18/14
APPROVED		

SIZE	PART NO.	REV.
X	BB10-PO-XXX-G-X.XX-NP-PP-T/R	-

REF: S00058T      SCALE: NTS      SHEET 1 OF 1