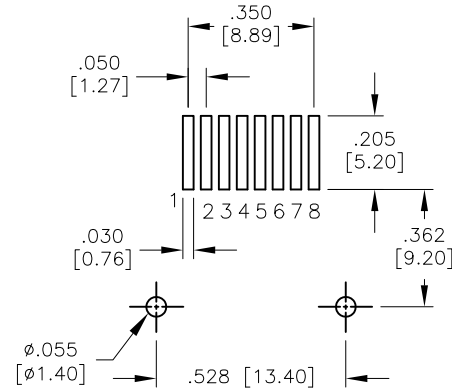
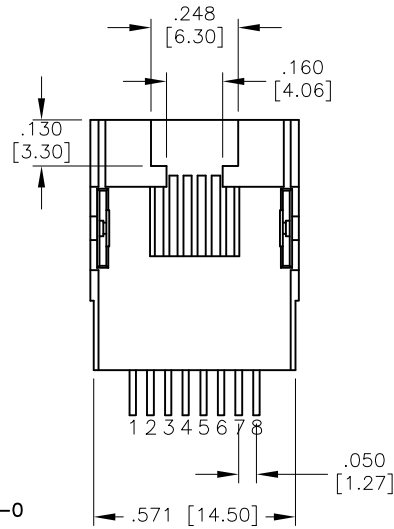
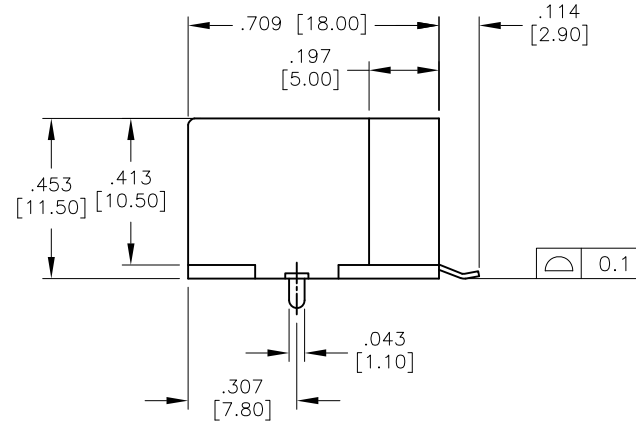
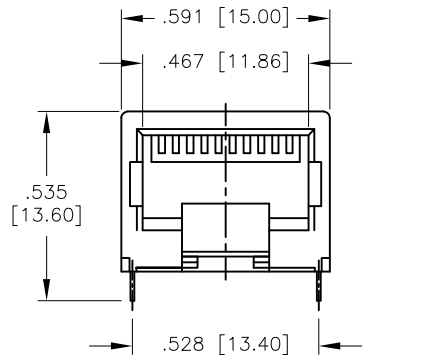


APPROVED: _____
 DATE: _____ TITLE: _____

Rev	AWO #	Description	Date	Appr
-		RELEASED	5/17/05	
A		UPDATED	9/16/08	
B		UPDATE DRAWING	6/23/16	AY/MW
C		UPDATE DIM.	7/7/20	AY/RC



RECOMENDED
PCB LAYOUT

SPECIFICATIONS:

Material:
 Insulator: Hi-temp thermoplastic, rated UL 94V-0
 Insulator color: Black
 Contacts: Phosphor Bronze
 Hold down: Copper Allot, Tin plated
 Plating:
 Gold over Nickel underplate on contact area
 Gold flash over Nickel underplate on solder tails
 Electrical:
 Voltage Rating: 150 VAC max
 Current rating: 1.5 Amps max
 Contact Resistance: 20 mohms max.
 Insulation resistance: 500 Mohms min @500 VDC
 Dielectric withstanding voltage: 1000 Vrms for 1 minut
 Temperature Rating:
 Operating temperature: -40°C to +85°C
 Environmental:
 Lead free, RoHS compliant.



UNLESS OTHERWISE SPECIFIED
 ALL DIMENSIONS ARE INCHES [MM]
 TOLERANCES: EXCEPT AS NOTED
 INCHES HOLES
 .X ± .10 Ø.X ± .10
 .XX ± .020 Ø.XX ± .015
 .XXX ± .015 Ø.XXX ± .010



TITLE
**MODULAR TELEPHONE JACK, 8P8C
 RIGHT ANGLE, SURFACE MOUNT**

APPROVALS		DATE
DRAWN	SS	5/17/05
CHECKED		
APPROVED		

SIZE	PART NO.	REV.
X	MTJ-88YX1	B
REF: S00065T	SCALE: NTS	SHEET 1 OF 1