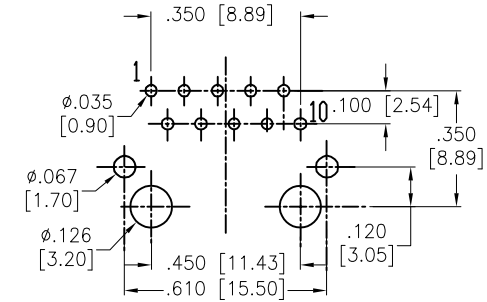
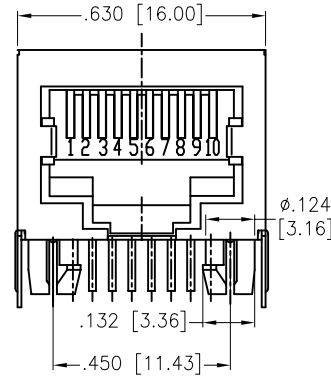
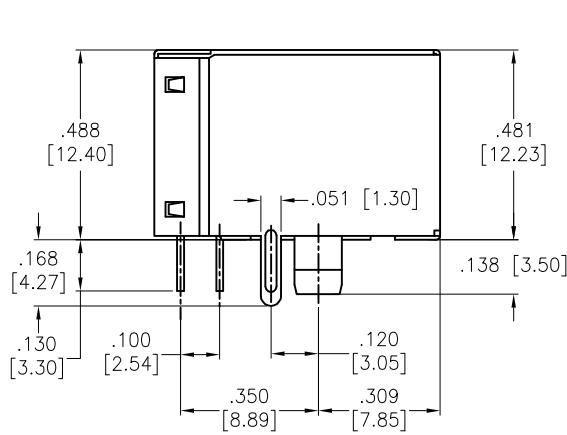


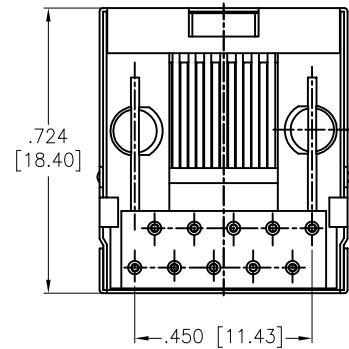
APPROVED: \_\_\_\_\_

DATE: \_\_\_\_\_ TITLE: \_\_\_\_\_

Rev	AWO #	Description	Date	Appr
-		RELEASED	11/2/22	
A		UPDATE DRAWING	11/29/23	JJ/JL



RECOMMENDED PCB LAYOUT



**SPECIFICATIONS:**

Material:  
 Insulator: PBT, rated UL 94V-0  
 Insulator color: Black  
 Contacts: Phosphor Bronze  
 Shield: Brass, Nickel plated  
 Plating:  
 Round contact  
 Gold over Nickel underplate overall  
 Electrical:  
 Voltage rating: 150 VAC RMS  
 Current rating: 1.5 Amps  
 Contact resistance: 20 mohms max  
 Insulation resistance: 1,000 Mohms min @ 500 VDC  
 Dielectric withstanding voltage:  
 Contact to Contact: 1,000 VDC or AC Peak for 1 minute  
 Contact to Screen and Test panel: 1,500 VDC or AC Peak for 1 minute  
 Temperature Rating:  
 Operating temperature: -40°C to +85°C  
 Environmental:  
 Lead free, RoHS compliant.



UNLESS OTHERWISE SPECIFIED ALL DIMENSIONS ARE INCHES [MM]. TOLERANCES: EXCEPT AS NOTED

INCHES		HOLES	
X	± .10	ØX	± .10
.XX	± .020	Ø.XX	± .015
.XXX	± .015	Ø.XXX	± .010



DRAWN	AY	7/18/13
CHECKED	JL	7/18/13
APPROVED		

THIS DRAWING CONTAINS INFORMATION THAT IS PROPRIETARY AND SHOULD NOT BE USED WITHOUT PRIOR WRITTEN PERMISSION FROM ADAM TECH

TITLE MODULAR TELEPHONE JACK, 8P8C RIGHT ANGLE, SHIELDED		
SIZE X	PART NO. MTJ-88WX1-FSD	REV. A
REF: S00005C	SCALE: NTS	SHEET 1 OF 1