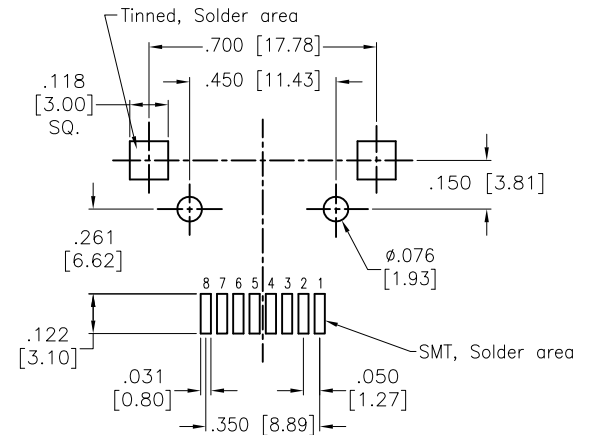
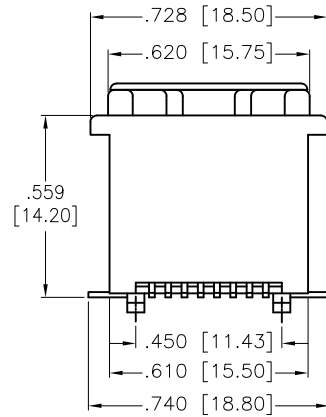
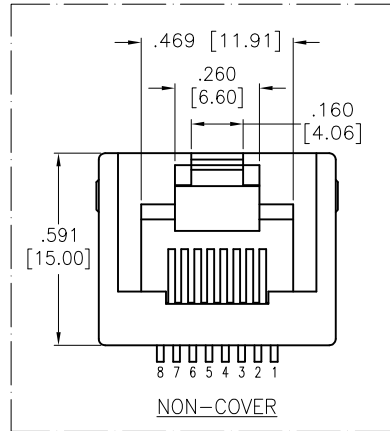
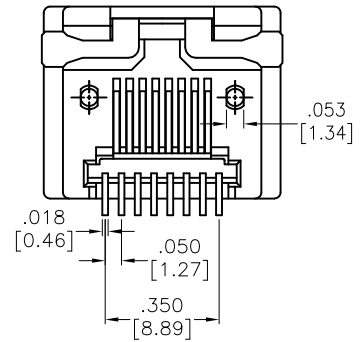
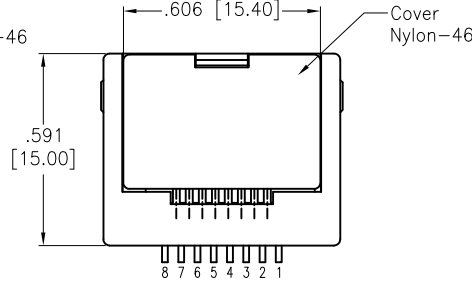
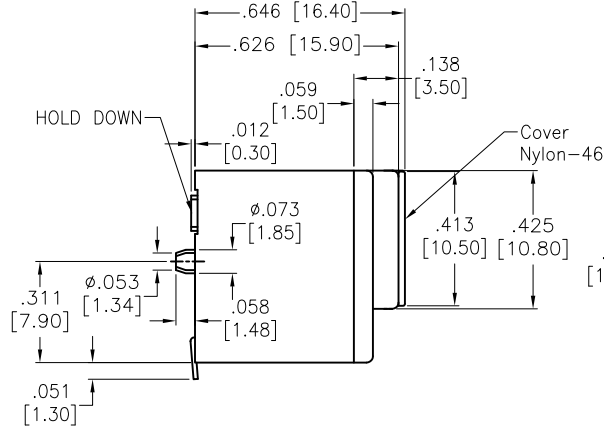
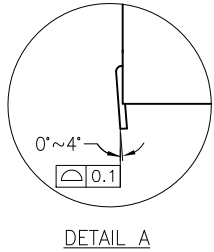


APPROVED: _____
 DATE: _____ TITLE: _____

| Rev | AWO # | Description | Date | Appr |
|-----|-------|--------------|---------|-------|
| - | | RELEASED | 9/23/14 | |
| A | | UPDATE SPEC. | 1/10/19 | AY/RC |



SPECIFICATIONS:

Material:
 Insulator: PA9T, rated UL 94V-0
 Insulator color: Black
 Contacts: Phosphor Bronze
 Hold down: Copper Alloy, Tin plated
 Plating:
 Gold over Nickel underplate on contact area
 Gold flash over Nickel underplate on solder tails
 Electrical:
 Operating voltage: 150 VAC max
 Current rating: 1 Amps max
 Contact resistance: 40 mohms max
 Insulation resistance: 500 Mohms min @ 100 VDC
 Dielectric withstanding voltage: 1000 VAC for 1 minute
 Temperature Rating:
 Operating temperature: -40°C to +85°C
 Environmental:
 Lead free, RoHS compliant.



PACKAGED ON TAPE & REEL

| | | |
|---|--------------|---------|
| UNLESS OTHERWISE SPECIFIED ALL DIMENSIONS ARE INCHES [MM] TOLERANCES: EXCEPT AS NOTED | | |
| INCHES | HOLES | |
| .X ± .10 | Ø.X ± .10 | |
| .XX ± .020 | Ø.XX ± .015 | |
| .XXX ± .015 | Ø.XXX ± .010 | |
| APPROVALS | | DATE |
| DRAWN | HR | 9/23/14 |
| CHECKED | CH | 9/23/14 |
| APPROVED | | |



TITLE
**MODULAR TELEPHONE JACK, 8P8C
 VERTICAL TOP ENTRY, PCB, W/CAP**

| | | |
|--------------|----------------------------------|--------------|
| SIZE X | PART NO. MTJ-88VX1-SMT-PP-T/R | REV. A |
| REF: S00065T | SCALE: NTS | SHEET 1 OF 2 |

6

5

4

3

2

1

APPROVED: _____

DATE: _____ TITLE: _____

| | | | | |
|-----|-------|-------------|------|------|
| Rev | AWO # | Description | Date | Appr |
|-----|-------|-------------|------|------|

SEE SHT 1 OF 2 FOR REVISION

D

D

C

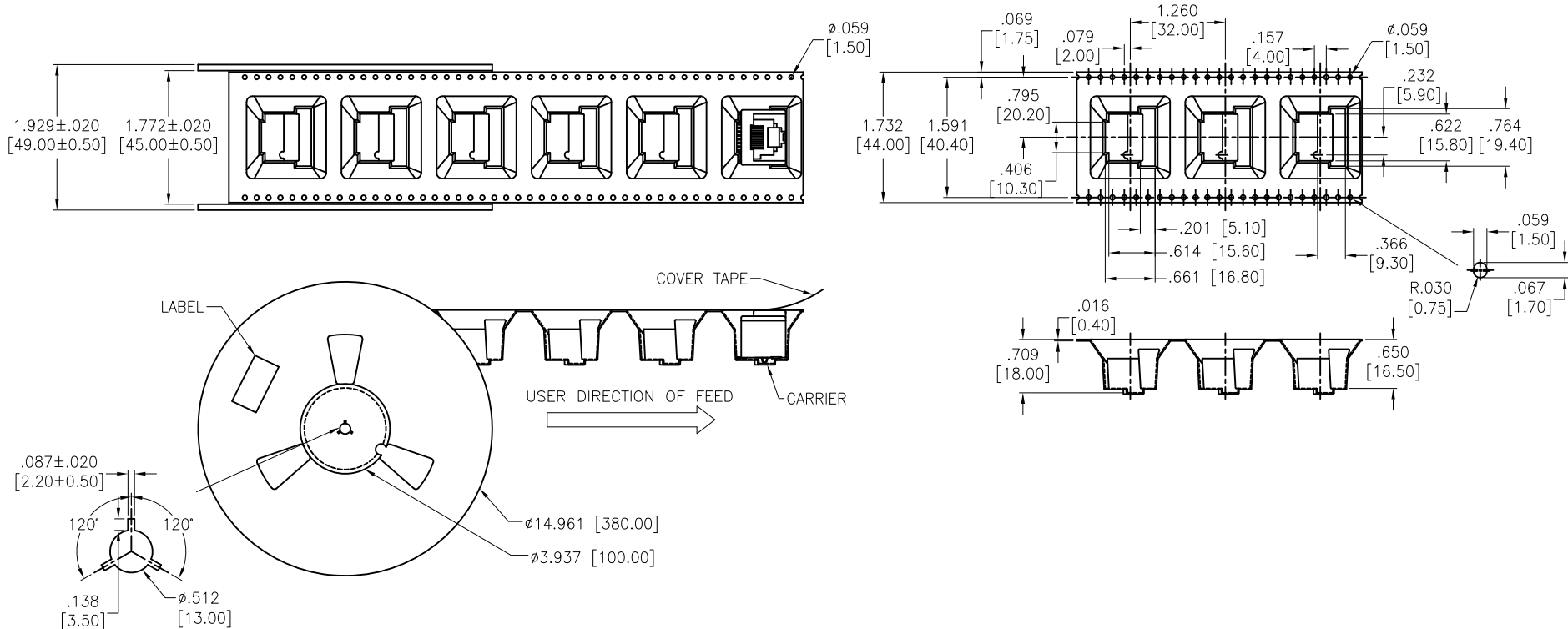
C

B

B

A

A



SPECIFICATIONS:

Material:

- Carrier: PS, Thickness: .016 [0.40]
- Reel: Plastic Wheel, Thickness: .079 [2.00]
- Cover Tape: PE, Thickness: .002~.005 [0.045~0.12]

Notes:

- 10 Empty Cavities for both Top and End of the Carrier
- 150 pcs products be packaged on reel

UNLESS OTHERWISE SPECIFIED
 ALL DIMENSIONS ARE INCHES [MM]
 TOLERANCES: EXCEPT AS NOTED
 INCHES HOLES

| | |
|-------------|--------------|
| .X ± .10 | Ø.X ± .10 |
| .XX ± .020 | Ø.XX ± .015 |
| .XXX ± .015 | Ø.XXX ± .010 |

ADAM TECH
INTERCONNECTS

909 Rahway Avenue,
 Union, NJ 07083
 Phone: 908-687-5000
 Fax: 908-687-5710

| APPROVALS | | DATE |
|-----------|----|---------|
| DRAWN | HR | 9/23/14 |
| CHECKED | CH | 9/23/14 |
| APPROVED | | |

| | | |
|---|----------------------------------|--------------|
| TITLE MODULAR TELEPHONE JACK, 8P8C VERTICAL TOP ENTRY, PCB, W/CAP | | |
| SIZE X | PART NO. MTJ-88VX1-SMT-PP-T/R | REV. A |
| REF: S00065T | SCALE: NTS | SHEET 2 OF 2 |

6

5

4

3

2

1