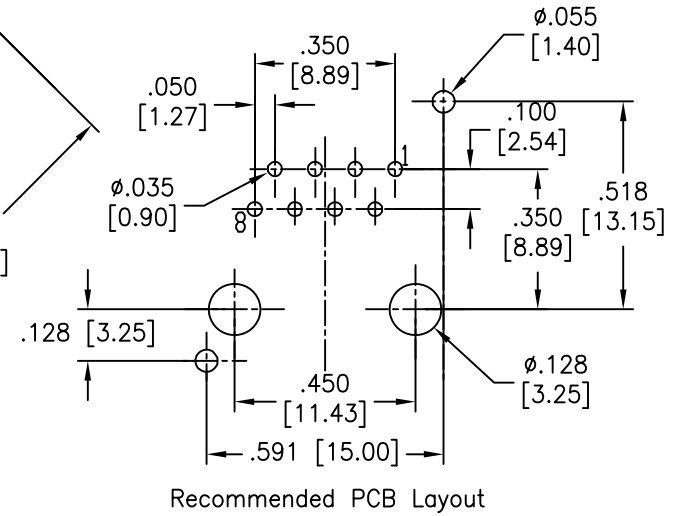
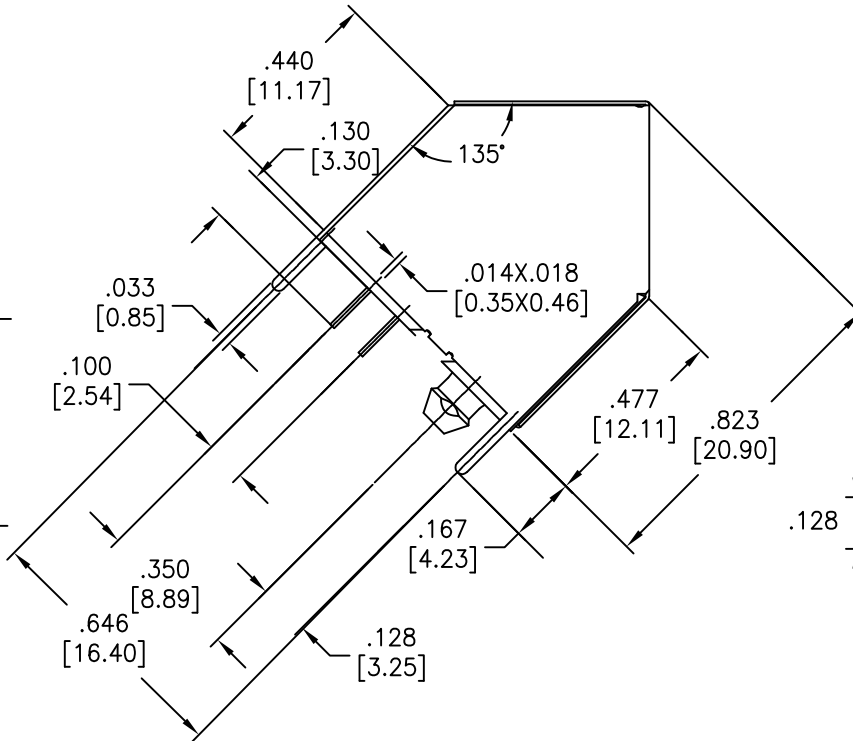
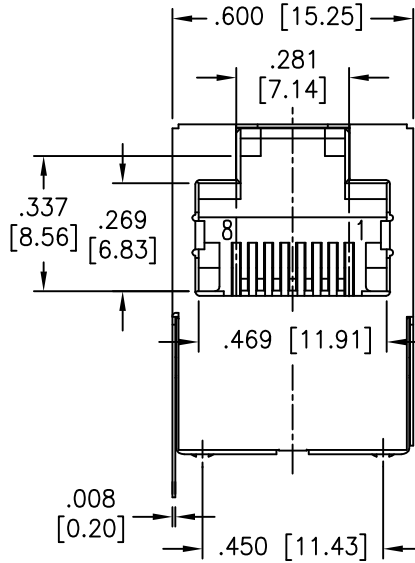


APPROVED: _____
 DATE: _____ TITLE: _____

Rev	AWO #	Description	Date	Appr
-		RELEASED	8/25/15	
A		UPDATE SPEC.	8/31/18	AY/RC
B		UPDATE DRAWING	12/10/18	AY/RC



SPECIFICATIONS:

Material:
 Insulator: PBT, rated UL 94V-0
 Insulator color: White
 Contacts: Phosphor Bronze
 Shield: Brass, Nickel plated
 Contacts Plating:
 Flat contact
 Round contact
 Gold over Nickel underplate overall
 Flat contact
 Gold over Nickel underplate on contact area
 Matte Tin over Nickel underplate on solder tails

Electrical:
 Voltage rating: 150 VAC RMS
 Current rating: 1.5 Amps
 Contact resistance: 20 mohms max
 Insulation resistance: 1000 Mohms min @ 500 VDC
 Dielectric withstanding voltage:
 Contact to Contact: 1,000 VDC or AC Peak for 1 minute
 Contact to Screen and Test panel: 1,500 VDC or AC Peak for 1 minute
 Temperature Rating:
 Operating temperature: -40°C to +85°C

Environmental:
 Lead free, RoHS compliant.



UNLESS OTHERWISE SPECIFIED ALL DIMENSIONS ARE INCHES [MM] TOLERANCES: EXCEPT AS NOTED					
INCHES HOLES					
.X ± .10	∅X ± .10		TITLE MODULAR TELEPHONE JACK, 8P8C 45° ANGLED, PCB, SHIELDED		
.XX ± .020	∅XX ± .015		DRAWN AY 8/25/15		
.XXX ± .015	∅XXX ± .010		CHECKED MW 8/25/15		
APPROVALS			DATE		
APPROVED			DATE		
SIZE X	PART NO. MTJ-88V45X1-FS-WT	REV. B	REF: S00005C		
SCALE: NTS		SHEET 1 OF 1			