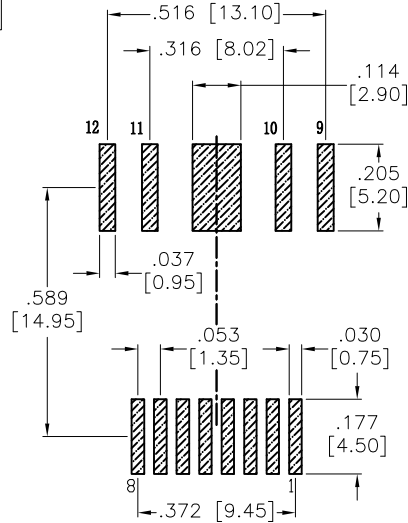
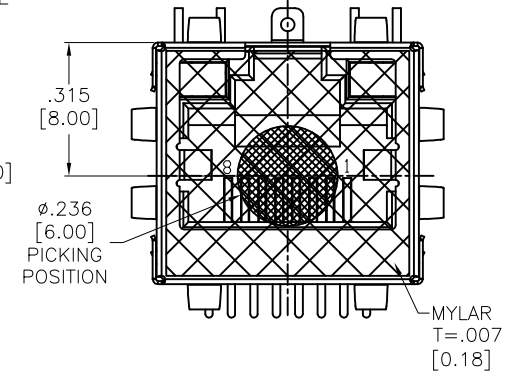
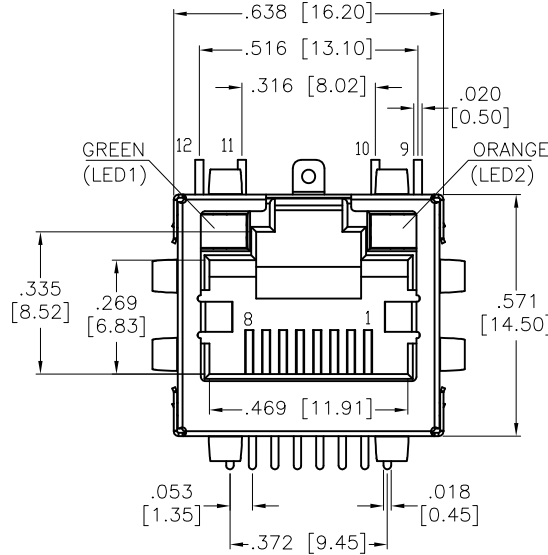
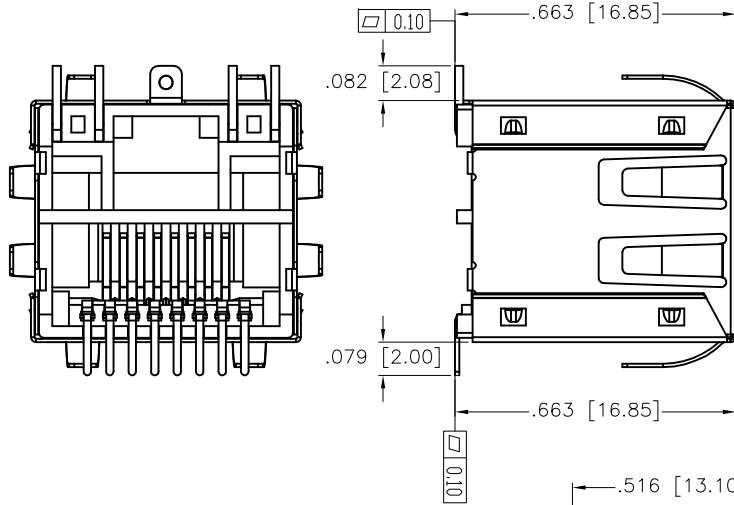
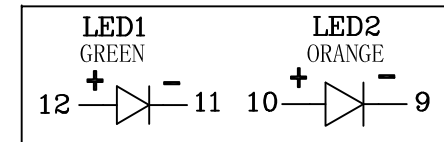
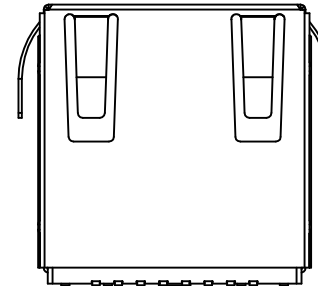


APPROVED: \_\_\_\_\_  
 DATE: \_\_\_\_\_ TITLE: \_\_\_\_\_

Rev	AWO #	Description	Date	Appr
-		RELEASED	7/2/18	
A		ADDED SHT 2, PANEL CUT-OUT	7/3/18	SS



RECOMMENDED PCB LAYOUT



**SPECIFICATIONS:**

Material:  
 Insulator: Hi-temp thermoplastic, rated UL 94V-0  
 Insulator color: Black  
 Contacts: Phosphor Bronze  
 Shield: Brass, Nickel plated  
 Plating:  
 Round contact  
 Gold over Nickel underplate overall  
 Flat contact  
 Gold over Nickel underplate on contact area,  
 Tin over Nickel underplate on solder tails

Electrical:  
 Voltage rating: 125 VAC RMS  
 Current rating: 1.5 Amp  
 Contact resistance: 20 mohms max  
 Insulation resistance: 1,000 Mohms min @ 500 VDC  
 Dielectric withstanding voltage: 1,000 VAC or 1,500 VDC for 1 minute  
 Temperature Rating:  
 Operating temperature: -40°C to +85°C  
 Environmental:  
 Lead free, RoHS compliant.



SEE SHT 2 FOR RECOMMENDED PANEL CUT-OUT SIZE

UNLESS OTHERWISE SPECIFIED ALL DIMENSIONS ARE INCHES [MM] TOLERANCES: EXCEPT AS NOTED			
INCHES HOLES			
.X ± .10	∅.X ± .10	TITLE MODULAR TELEPHONE JACK, 8P8C, VERTICAL, W/ LED LED1 GREEN LED2 ORANGE	
.XX ± .020	∅.XX ± .015	APPROVALS	DATE
.XXX ± .015	∅.XXX ± .010	DRAWN	HR
		CHECKED	RC1
		APPROVED	
		DATE	7/2/18
SIZE X	PART NO. MTJ-88HAX1-FS-PG-L5	REV. -	
REF: S00005C	SCALE: NTS	SHEET 1 OF 2	

6

5

4

3

2

1

APPROVED: \_\_\_\_\_  
DATE: \_\_\_\_\_ TITLE: \_\_\_\_\_

Rev	AWO #	Description	Date	Appr
-----	-------	-------------	------	------

SEE SHT 1 OF 2 FOR REVISION

D

D

C

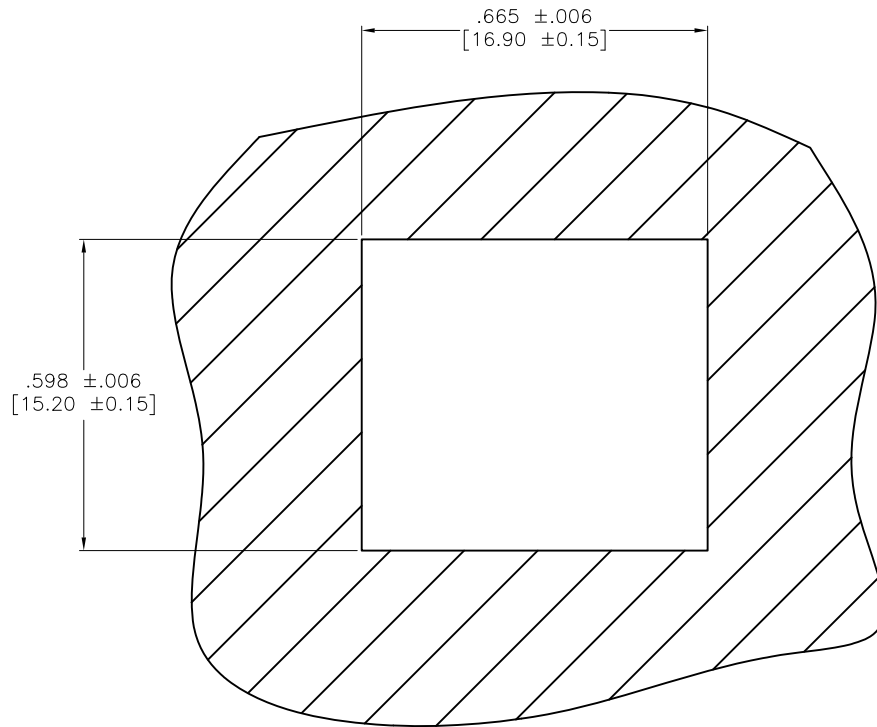
C

B

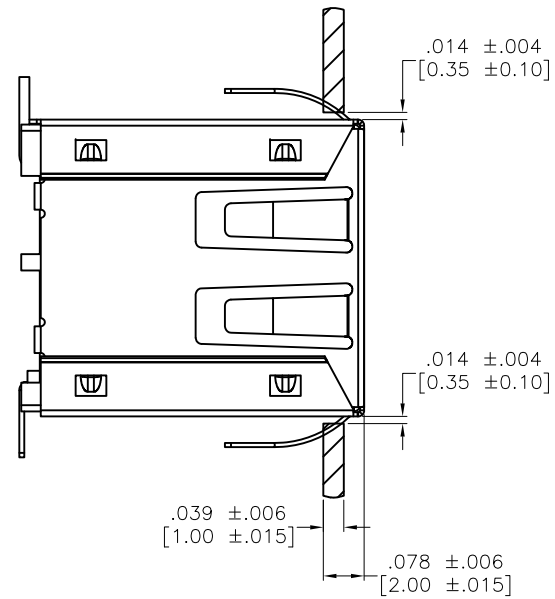
B

A

A



RECOMMENDED PANEL CUT-OUT  
(PANEL THICKNESS .039" ±.006" [1.00 ±0.15])



CONNECTOR ASSEMBLED TO PANEL VIEW

UNLESS OTHERWISE SPECIFIED  
ALL DIMENSIONS ARE INCHES [MM]  
TOLERANCES: EXCEPT AS NOTED  
INCHES HOLES

.X ± .10	∅.X ± .10
.XX ± .020	∅.XX ± .015
.XXX ± .015	∅.XXX ± .010

**ADAM**  
**TECH**  
**INTERCONNECTS**

909 Rahway Avenue,  
Union, NJ 07083  
Phone: 908-687-5000  
Fax: 908-687-5710

APPROVALS		DATE
DRAWN	HR	7/2/18
CHECKED	RC1	7/2/18
APPROVED		

TITLE  
MODULAR TELEPHONE JACK, 8P8C, VERTICAL,  
W/ LED LED1 GREEN LED2 ORANGE

SIZE X	PART NO. MTJ-88HAX1-FS-PG-L5	REV. A
REF: S00005C	SCALE: NTS	SHEET 2 OF 2

6

5

4

3

2

1