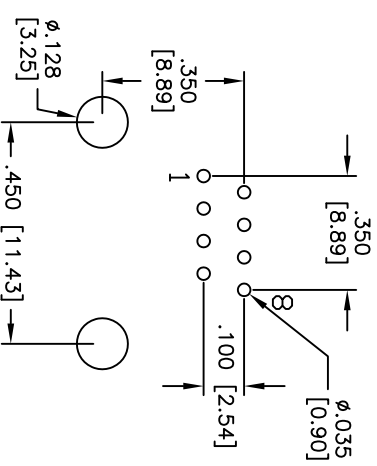
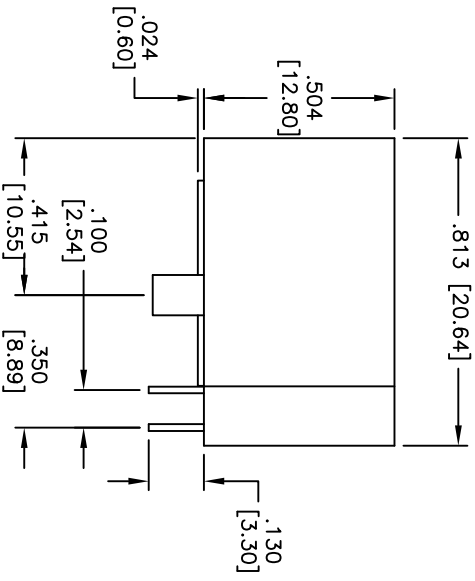
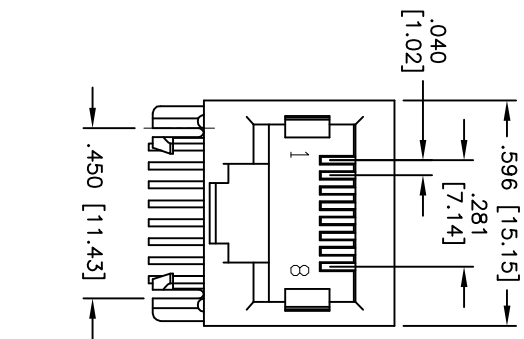
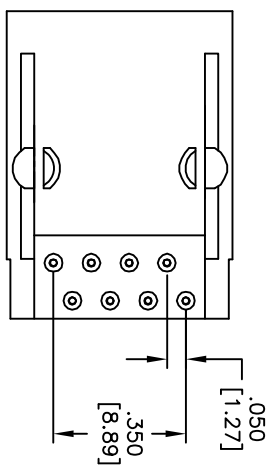


APPROVED: \_\_\_\_\_  
 DATE: \_\_\_\_\_ TITLE: \_\_\_\_\_

Rev	AWO #	Description	Date	Appr
-		RELEASED	10/4/04	
A		ADDED ROHS LOGO	02/14/06	
B		REVISED SHAPE	2/11/09	
C		REDRAWN	10/27/10	
D		REVISED SHAPE	7/9/14	AY



Recommended PCB Layout



X	PLATING
0	15 $\mu$ m Gold
1	30 $\mu$ m Gold
2	50 $\mu$ m Gold

**SPECIFICATIONS:**

Material: Insulator: PBT, rated UL 94V-0  
 Insulator color: Black  
 Contacts: Phosphor Bronze

Plating: Gold over Nickel underplate on contact area, Tin over Copper underplate on PCB tails,  
 (See chart for thickness)

Electrical: Operating voltage: 125 VAC max  
 Current rating: 1.5 Amps max

Contact resistance: 20 mohms max  
 Insulation resistance: 1000 Mohms min @ 500 VDC  
 Dielectric withstanding voltage: 1000 VAC for 1 minute

Temperature Rating: Operating temperature: -40°C to +85°C  
 Environmental: Lead free, RoHS compliant.



MODULAR TELEPHONE JACK, 8P8C  
 RIGHT ANGLE, PCB

UNLESS OTHERWISE SPECIFIED ALL DIMENSIONS ARE INCHES [MM] TOLERANCES: EXCEPT AS NOTED INCHES		HOLDERS	
X	$\pm .10$	$\phi X$	$\pm .10$
.XX	$\pm .020$	$\phi .XX$	$\pm .015$
.XXX	$\pm .015$	$\phi .XXX$	$\pm .010$
APPROVALS		DATE	
DRAWN	SS	10/4/04	
CHECKED			
APPROVED			
TITLE		SIZE	PART NO.
MODULAR TELEPHONE JACK, 8P8C RIGHT ANGLE, PCB		X	MTJ-88GX1
REF: S0005C		SCALE: NTS	SHEET 1 OF 1