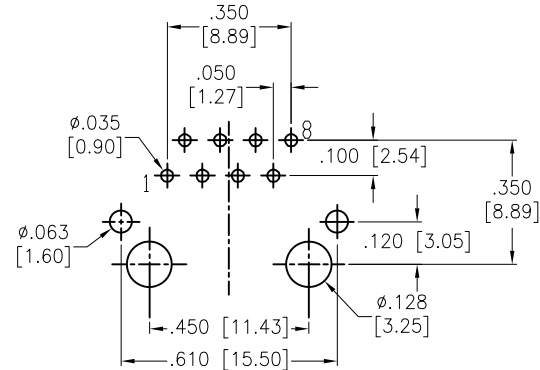
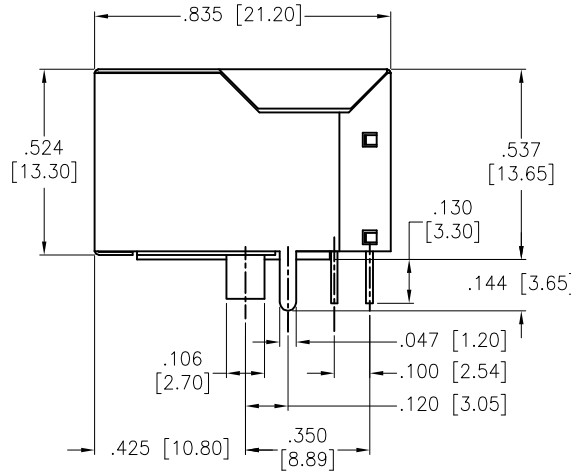
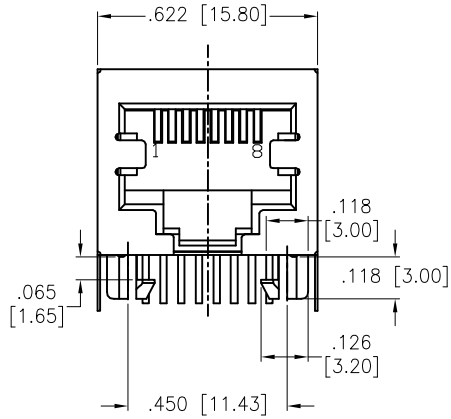


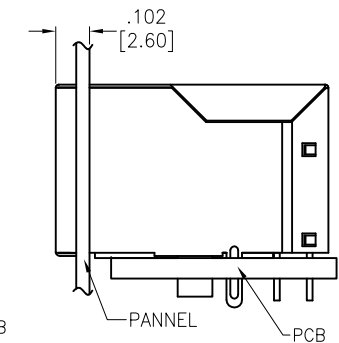
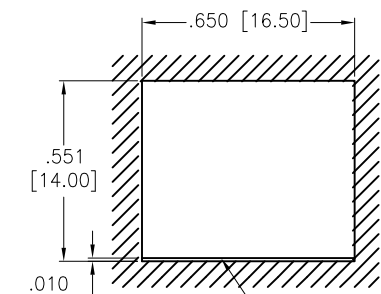
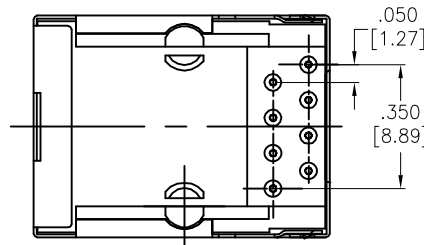
APPROVED: _____

DATE: _____ TITLE: _____

Rev	AWO #	Description	Date	Aprr
-		RELEASED	10/4/04	
A		REDRAWN	11/30/11	
B		UPDATED DRAWING	7/20/18	HR/TW
C		UPDATED DIM.	10/18/18	HR/YC
D		UPDATE DRAWING	12/5/24	WY/FH



RECOMMENDED PCB LAYOUT



RECOMMENDED PANEL CUT

SPECIFICATIONS:

Material:
 Insulator: PBT, rated UL 94V-0
 Insulator color: Black
 Contacts: Phosphor Bronze
 Shield: Brass, Nickel plated
 Plating:
 Round contact
 Gold over Nickel underplate overall
 Electrical:
 Voltage rating: 150 VAC
 Current rating: 1.5 Amp
 Contact resistance: 20 mohms max
 Insulation resistance: 1,000 Mohms min @ 500 VDC
 Dielectric withstanding voltage:
 Contact to Contact: 1,000 VDC or AC Peak for 1 minute
 Contact to Shield: 1,500 VDC or AC Peak for 1 minute
 Temperature Rating:
 Operating temperature: -40°C to +85°C
 Environmental:
 Lead free, RoHS compliant.



UNLESS OTHERWISE SPECIFIED ALL DIMENSIONS ARE INCHES [MM]. TOLERANCES: EXCEPT AS NOTED		
INCHES		HOLES
.X ± .10		Ø.X ± .10
.XX ± .020		Ø.XX ± .015
.XXX ± .015		Ø.XXX ± .010
DRAWN	SS	10/4/04
CHECKED		
APPROVED		
THIS DRAWING CONTAINS INFORMATION THAT IS PROPRIETARY AND SHOULD NOT BE USED WITHOUT PRIOR WRITTEN PERMISSION FROM ADAM TECH		



TITLE		MODULAR TELEPHONE JACK, 8P8C RIGHT ANGLE, PCB, FULL SHIELD	
SIZE	PART NO.	REV.	
X	MTJ-88GX1-FSD	D	
REF:	S00005C	SCALE:	NTS
		SHEET	1 OF 1