

6

5

4

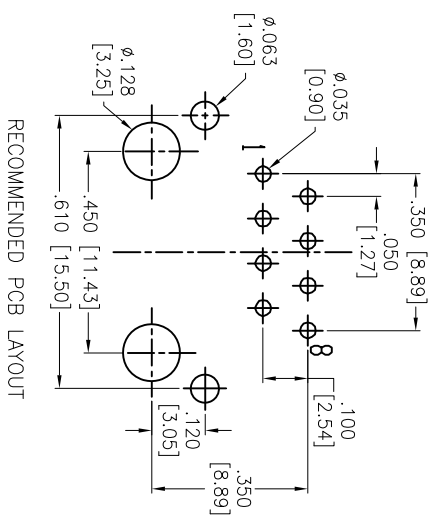
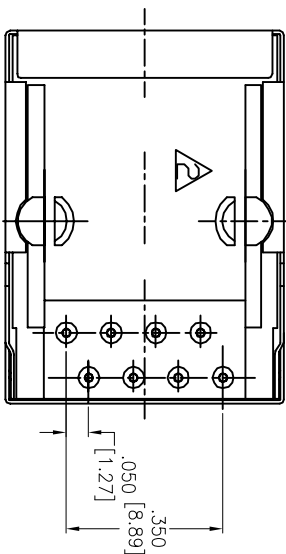
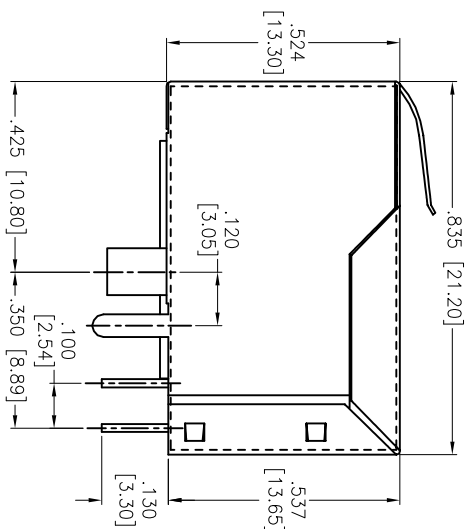
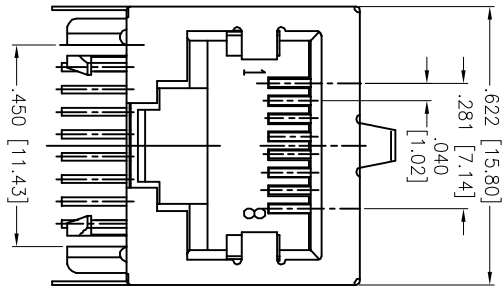
3

2

1

APPROVED: _____
 DATE: _____ TITLE: _____

Rev	AWO #	Description	Date	Appr
-		RELEASED	6/29/01	
A		REDRAWN	9/4/14	AV/MC



SPECIFICATIONS:

- Material:
 Insulator: PBT, rated UL 94V-0
 Insulator color: Black
 Contacts: Phosphor Bronze
 Shield: Brass, Nickel plated
 Plating:
 Gold over Nickel underplate on contact area,
 Tin over Copper underplate on PCB tails
- Electrical:
 Operating voltage: 125 VAC max
 Current rating: 1.5 Amps max
 Contact resistance: 35 mohms max
 Insulation resistance: 1,000 Mohms min @ 500 VDC
 Dielectric withstanding voltage: 1,000 VAC for 1 minute
- Temperature Rating:
 Operating temperature: 0°C to +70°C
- Environmental:
 Lead free, RoHS compliant.

X	PLATING
0	15 µin Gold
1	30 µin Gold
2	50 µin Gold

UNLESS OTHERWISE SPECIFIED
 ALL DIMENSIONS ARE INCHES [MM]
 TOLERANCES: EXCEPT AS NOTED

INCHES	HOLE SIZES
.X ± .10	ØX ± .10
.XX ± .020	ØXXX ± .015
.XXX ± .015	ØXXXX ± .010

APPROVALS	DATE
DRAWN	6/29/01
CHECKED	
APPROVED	



TITLE: MODULAR TELEPHONE JACK, 8P8C
 RIGHT ANGLE, FULL SHIELD, PANEL GROUND

SIZE	PART NO.	REV.
X	MTJ-88GX1-FSD-PG	A

REF: S00036C SCALE: NTS SHEET 1 OF 1

A

B

C

D

A

B

C

D

6

5

4

3

2

1

