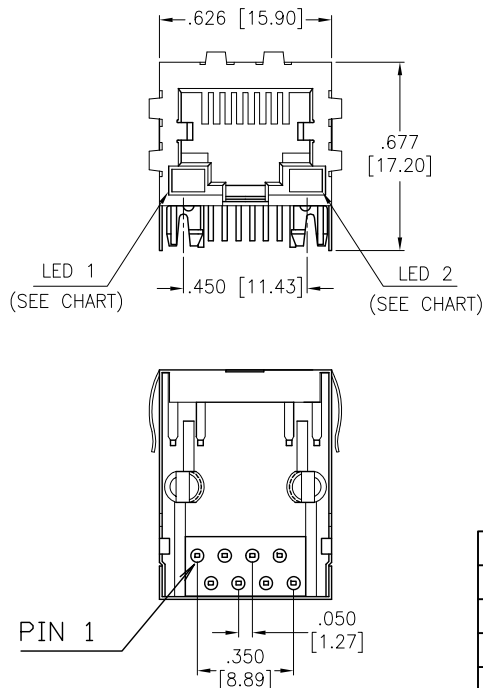
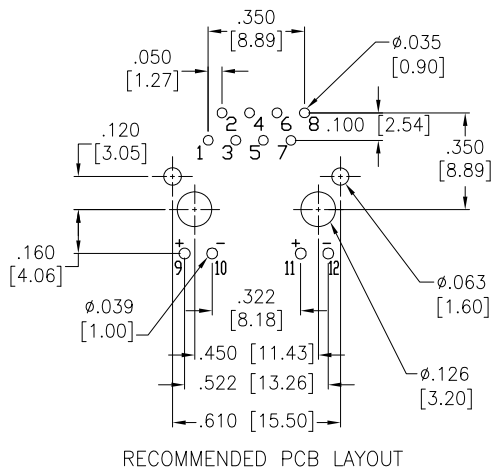


APPROVED: \_\_\_\_\_  
 DATE: \_\_\_\_\_ TITLE: \_\_\_\_\_

Rev	AWO #	Description	Date	Appr
-		RELEASED	9/3/15	



Part Number	LED 1 Color	LED 2 Color
MTJ-88GX1-FSD-PG-LD	Green	Green
MTJ-88GX1-FSD-PG-LG	Yellow	Green
MTJ-88GX1-FSD-PG-LH	Green	Yellow
MTJ-88GX1-FSD-PG-LP	Yellow/Green	Yellow/Green
MTJ-88GX1-FSD-PG-LV	Green	Yellow/Green
MTJ-88GX1-FSD-PG-L16	Green/Yellow	Green/Yellow

SPECIFICATIONS:  
 Material:  
 Insulator: PBT, Glass reinforced rated UL 94V-0  
 Insulator color: Black  
 Contacts: Phosphor Bronze  
 Shield: Copper Alloy, Nickel plated  
 Contacts Plating:

Flat contact  
 Gold over Nickel underplate on contact area,  
 Tin over Copper underplate on solder tails  
 Round contact

Electrical:  
 Operating voltage: 150 VAC max  
 Current rating: 1.5 Amps max  
 Contact resistance: 20 mohms max  
 Insulation resistance: 500 Mohms min @ 500 VDC  
 Dielectric withstanding voltage: 1500 VAC for 1 minute  
 Temperature Rating:  
 Operating temperature: -40°C to +85°C

Environmental:  
 Lead free, RoHS compliant.



UNLESS OTHERWISE SPECIFIED  
 ALL DIMENSIONS ARE INCHES [MM]  
 TOLERANCES: EXCEPT AS NOTED

INCHES	HOLES
.X ± .10	Ø.X ± .10
.XX ± .020	Ø.XX ± .015
.XXX ± .015	Ø.XXX ± .010

APPROVALS		DATE
DRAWN	AY	9/3/15
CHECKED	NC	9/3/15
APPROVED		



TITLE  
 MODULAR JACK GANGED, 1 PORT, 8P8C  
 W/ LED's

SIZE X	PART NO. MTJ-88GX1-FSD-PG-LX	REV. -
REF: S00065T	SCALE: NTS	SHEET 1 OF 1