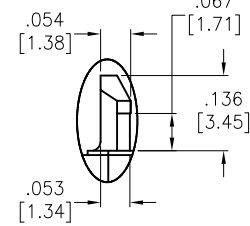
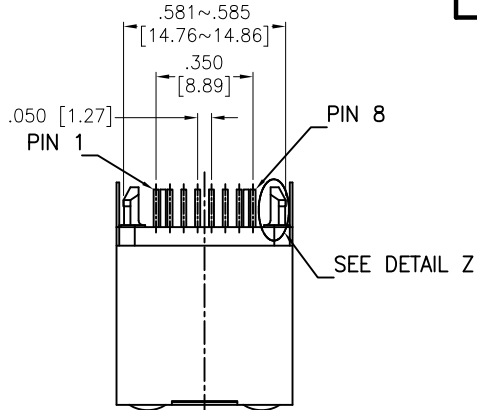
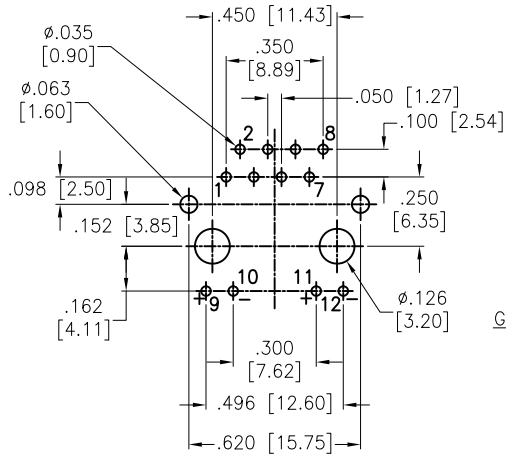
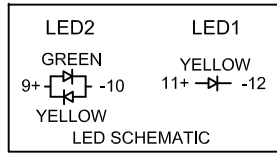
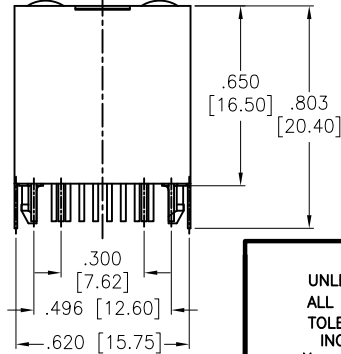
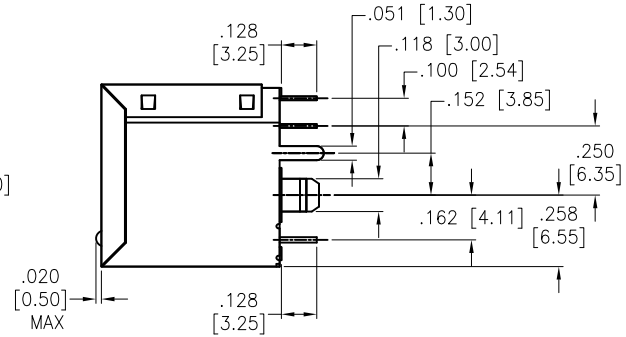
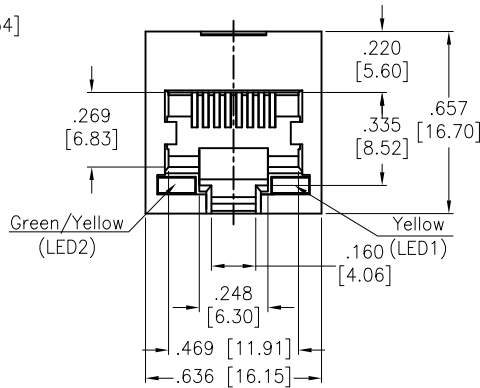


APPROVED: \_\_\_\_\_  
 DATE: \_\_\_\_\_ TITLE: \_\_\_\_\_

Rev	AWO #	Description	Date	Appr
-		RELEASED	3/13/15	
A		UPDATE SPEC.	6/21/18	AYTY
B		UPDATE SPEC.	5/7/19	OW/W



DETAIL Z



SPECIFICATIONS:  
 Material:  
 Insulator: PBT, glass fiber, rated UL 94V-0  
 Insulator color: Black  
 Insert Housing: Nylon46, glass fiber, rated UL 94V-0, color: Black  
 Contacts: Phosphor Bronze  
 Shield: Brass, Nickel plated  
 LED Solder Tail: Steel, Tin plated  
 Plating:  
 Gold over Nickel underplate on contact area  
 Gold flash over Nickel underplate on solder tails  
 Electrical:  
 Operating voltage: 150 VAC max  
 Current rating: 1.5 Amps max  
 Contact resistance: 20 mohms max  
 Insulation resistance: 500 Mohms min @ 500 VDC  
 Dielectric withstanding voltage: 1500 Vrms for 1 minut  
 Temperature Rating:  
 Operating temperature: -40°C to +85°C  
 Environmental:  
 Lead free, RoHS compliant.



UNLESS OTHERWISE SPECIFIED  
 ALL DIMENSIONS ARE INCHES [MM]  
 TOLERANCES: EXCEPT AS NOTED

INCHES		HOLES	
.X	± .10	Ø.X	± .10
.XX	± .020	Ø.XX	± .015
.XXX	± .015	Ø.XXX	± .010

APPROVALS		DATE
DRAWN	AY	3/13/15
CHECKED	LL	3/13/15
APPROVED		



TITLE MODULAR TELEPHONE JACK, 8P8C, VERTICAL W/LED1 YELLOW, LED2 GREEN/YELLOW			
SIZE X	PART NO. MTJ-88FX1-FSN-L33	REV. B	
REF: S00065T	SCALE: NTS	SHEET 1 OF 1	