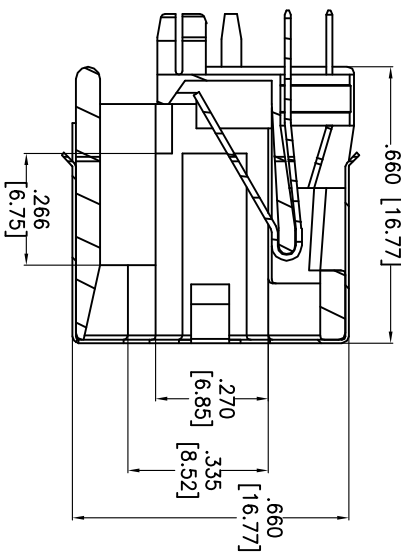
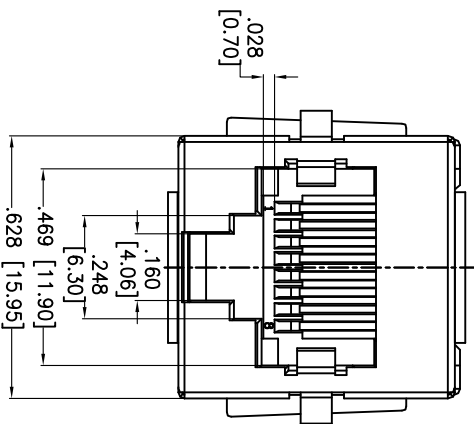
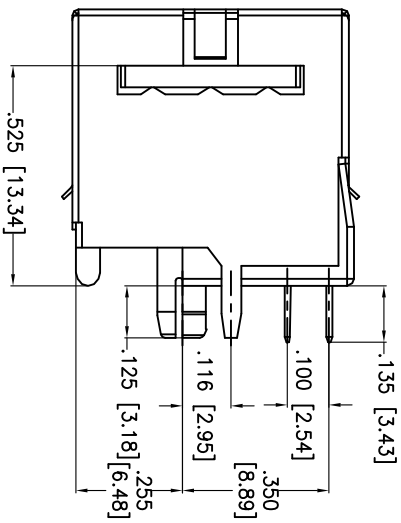
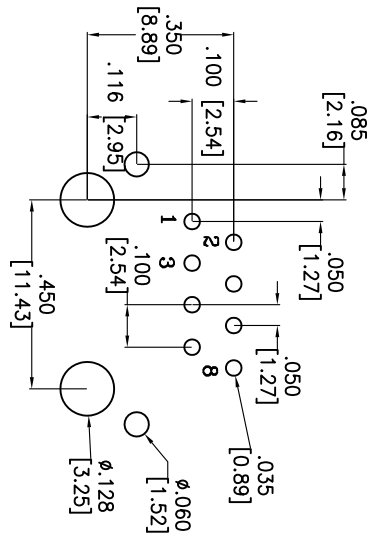
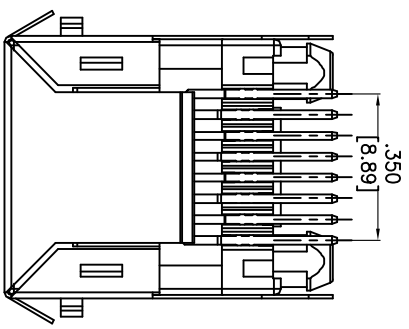


Rev	AWO #	Description	Date	Appr
-		RELEASED	2/11/10	

APPROVED: _____
 DATE: _____ TITLE: _____



X	PLATING
0	15 µin Gold
1	30 µin Gold
2	50 µin Gold



RECOMMENDED PCB LAYOUT

SPECIFICATIONS:

Material:
 Insulator: PA66, glass reinforced, rated UL 94V-0
 Insulator color: Black
 Contacts: Phosphor Bronze
 Shield: Brass, Nickel plated
Contact Plating:
 Gold Flash over Nickel underplate on contact area,
 Tin over Copper underplate on tails
 (See chart for thickness).
Electrical:
 Voltage rating: 125 VAC RMS
 Current Rating: 1.5 Amp
 Contact Resistance: 35 mohms Min
 Insulation Resistance: 1000 mohms Min @ 500VDC
 Dielectrically Strength: 1000 VAC RMS
 Temperature Rating:
 Operating temperature: -40°C to +85°C
 Environmental:
 Lead free, RoHS compliant.



**MODULAR TELEPHONE JACK, 8P8C
 VERTICAL, PCB, SHIELDED**

UNLESS OTHERWISE SPECIFIED
 ALL DIMENSIONS ARE INCHES [MM]
 TOLERANCES: EXCEPT AS NOTED
 INCHES HOLES
 .X ± .10 Ø.X ± .10
 .XX ± .020 Ø.XXX ± .015
 .XXX ± .015 Ø.XXXX ± .010

APPROVALS	DATE
DRAWN	DY
CHECKED	
APPROVED	2/11/10

TITLE	SIZE	PART NO.	REV.
MODULAR TELEPHONE JACK, 8P8C VERTICAL, PCB, SHIELDED	X	MTJ-88FX1-01-FSY-PG	-
REF: S00005C	SCALE: NTS	SHEET 1 OF 2	



6 5 4 3 2 1