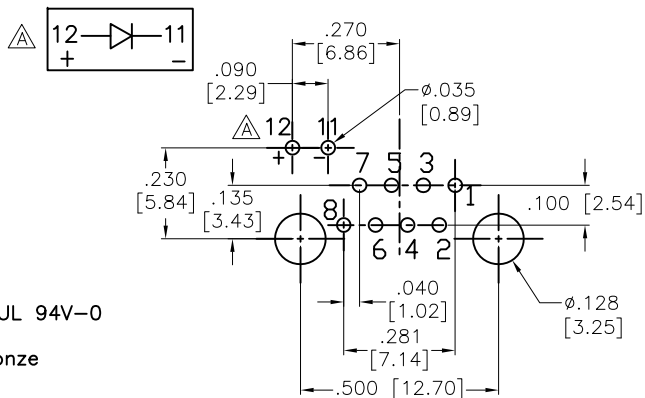
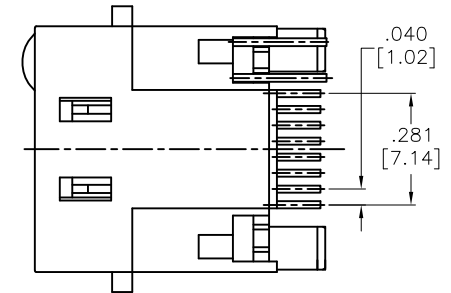
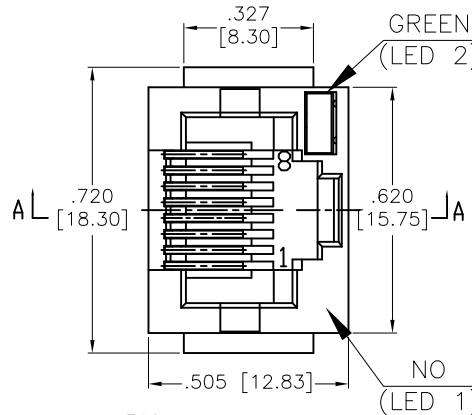
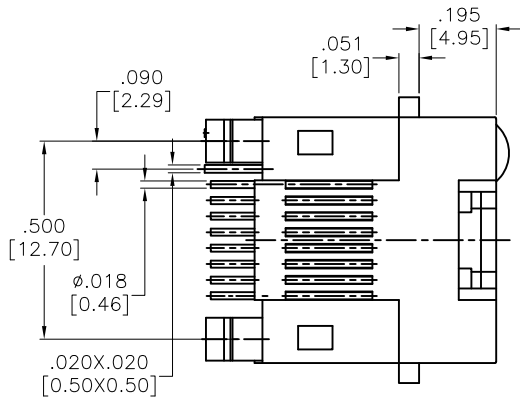
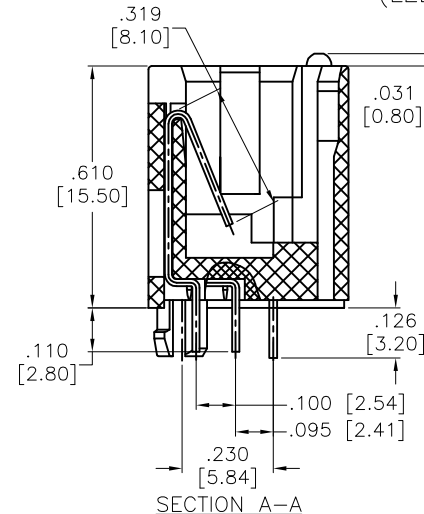


APPROVED: _____
 DATE: _____ TITLE: _____

Rev	AWO #	Description	Date	Appr
-		RELEASED	10/26/20	
A		UPDATE LED TERMINAL P/N	10/27/20	AY/KC



RECOMMENDED P.C.B. LAYOUT



SECTION A-A

SPECIFICATIONS:

Material:
 Insulator: PA66, rated UL 94V-0
 Insulator color: Black
 Contacts: Phosphor Bronze
 Plating:
 Round contact
 Gold over Nickel underplate overall
 Flat contact
 Gold over Nickel underplate on contact area,
 Tin over Nickel underplate on solder tails
 LED:

Forward Voltage: 1.8 Volts Min. (2.2 Volts Typ.)
 Reverse Voltage: -5.0 Volts Max.
 Luminous Intensity: 3 mcd Min. (6 mcd Typ.) (AT IF=20mA)
 Operating temperature: -55°C to +85°C
 Lead Soldering Temperature: 265°C ± 5 Sec. Peak for 10 Sec. max.
 Clearance .059" [1.50mm] from case.

Electrical:
 Voltage rating: 150 VAC RMS
 Current rating: 1.5 Amp
 Contact resistance: 20 mohms max
 Insulation resistance: 1000 Mohms min @ 500 VDC
 Dielectric withstanding voltage: 1000 DC or AC Peak
 Temperature Rating:
 Operating temperature: -40°C to +85°C
 Environmental:
 Lead free, RoHS compliant.



UNLESS OTHERWISE SPECIFIED
 ALL DIMENSIONS ARE INCHES [MM]
 TOLERANCES: EXCEPT AS NOTED

INCHES	HOLES
.X ± .10	ØX ± .10
.XX ± .020	ØXX ± .015
.XXX ± .015	ØXXX ± .010



TITLE
 MODULAR TELEPHONE JACK, 8P8C, PCB TYPE
 W/ LED 2 GREEN

APPROVALS		DATE
DRAWN	AY	10/26/20
CHECKED	KC	10/26/20
APPROVED		

SIZE	PART NO.	REV.
X	MTJ-88DX1-LE-C	A
REF:	S00005C	SCALE: NTS
		SHEET 1 OF 1