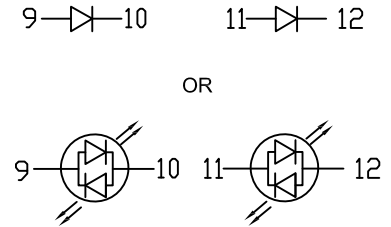
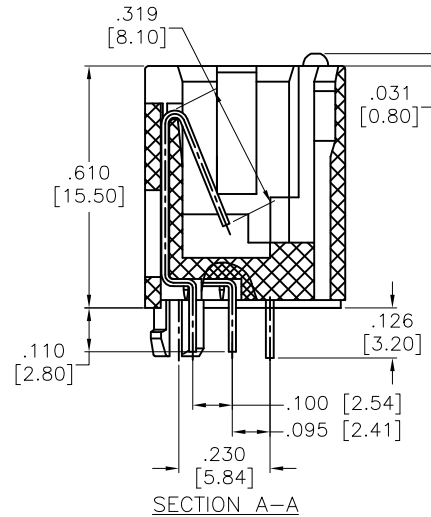
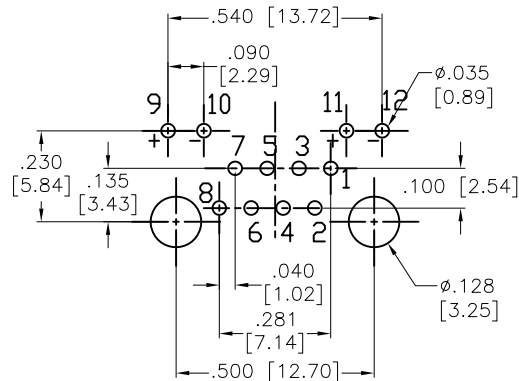
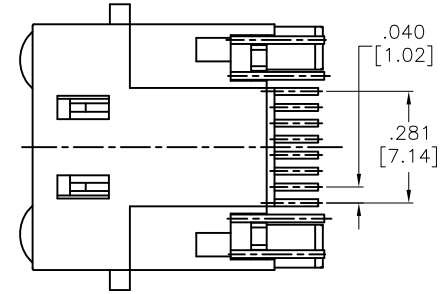
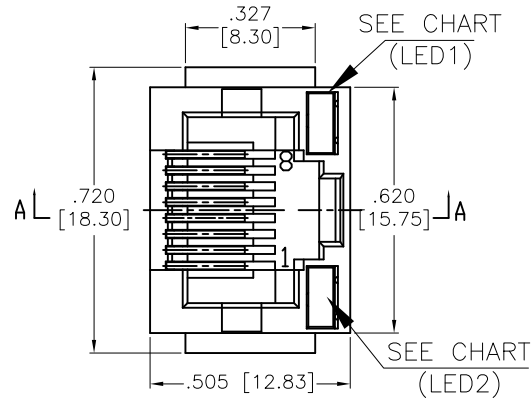
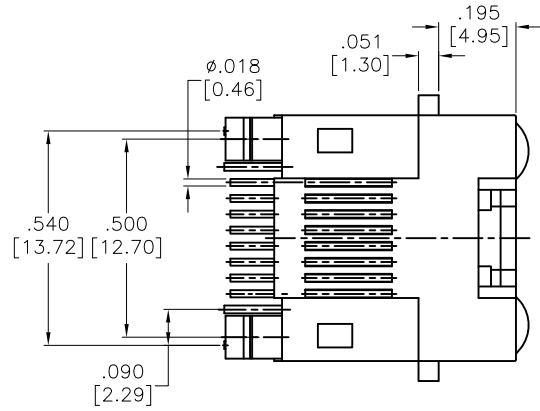


APPROVED: _____
 DATE: _____ TITLE: _____

| Rev | AWO # | Description | Date | Appr |
|-----|-------|----------------|---------|-------|
| - | | RELEASED | 5/14/19 | |
| A | | UPDATE SPEC. | 6/19/19 | AY/NL |
| B | | UPDATE DRAWING | 9/14/20 | AY/KL |



| Part Number | LED 1 Color | LED 2 Color |
|---------------|--------------|--------------|
| MTJ-88DX1-LD | Green | Green |
| MTJ-88DX1-LG | Yellow | Green |
| MTJ-88DX1-LH | Green | Yellow |
| MTJ-88DX1-LP | Yellow/Green | Yellow/Green |
| MTJ-88DX1-LV | Green | Yellow/Green |
| MTJ-88DX1-L16 | Green/Yellow | Green/Yellow |

RECOMMENDED P.C.B LAYOUT

SPECIFICATIONS:

Material:
 Insulator: PBT/PA66, rated UL 94V-0
 Insulator color: Black
 Contacts: Phosphor Bronze
 Plating:
 Round contact
 Gold over Nickel underplate overall
 Flat contact
 Gold over Nickel underplate on contact area,
 Tin over Nickel underplate on solder tails
 Electrical:
 Voltage rating: 150 VAC RMS
 Current rating: 1.5 Amp
 Contact resistance: 20 mohms max
 Insulation resistance: 1000 Mohms min @ 500 VDC
 Dielectric withstanding voltage: 1000 DC or AC Peak
 Temperature Rating:
 Operating temperature: -40°C to +85°C
 Environmental:
 Lead free, RoHS compliant.



| | | | |
|---|-------------|---|-----------------------|
| UNLESS OTHERWISE SPECIFIED ALL DIMENSIONS ARE INCHES [MM] TOLERANCES: EXCEPT AS NOTED INCHES HOLES | | | |
| .X ± .10 | ∅X ± .10 | | |
| .XX ± .020 | ∅XX ± .015 | TITLE MODULAR TELEPHONE JACK, 8P8C, PCB TYPE W/ LED'S | |
| .XXX ± .015 | ∅XXX ± .010 | DRAWN OW 5/14/19 | |
| APPROVALS | | DATE | |
| CHECKED AY1 | 5/14/19 | SIZE X | PART NO. MTJ-88DX1-LX |
| APPROVED | | REV. B | |
| REF: S00005C | | SCALE: NTS | SHEET 1 OF 1 |