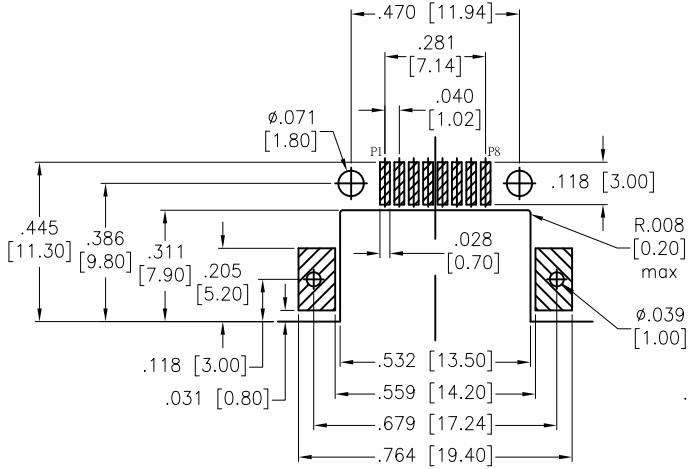
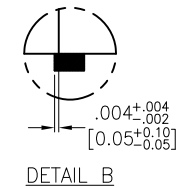
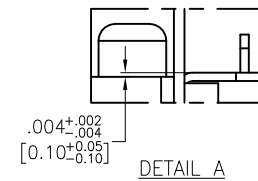
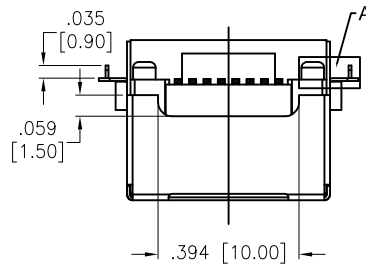
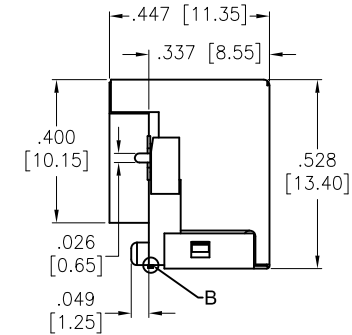
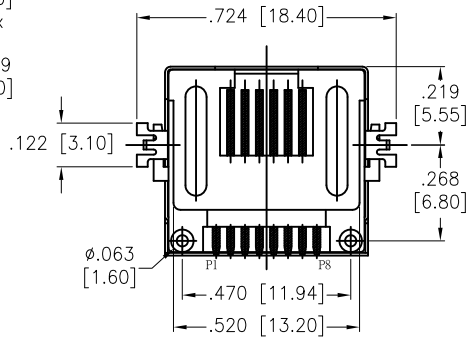
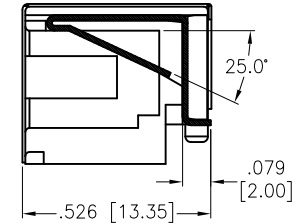
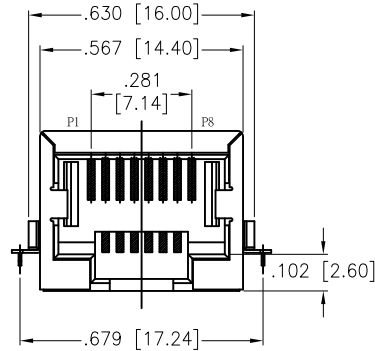


APPROVED: _____
 DATE: _____ TITLE: _____

Rev	AWO #	Description	Date	Appr
-		RELEASED	9/27/18	



RECOMMENDED PCB LAYOUT



SPECIFICATIONS:

Material:
 Insulator: Hi-temp thermoplastic, rated UL 94V-0
 Insulator color: Black
 Contacts: Phosphor Bronze
 Shield: Copper Alloy, Nickel plated
 Contacts Plating:
 Round contact
 Gold over Nickel underplate overall
 Flat contact
 Gold over Nickel underplate on contact area,
 Tin over Nickel underplate on solder tails
 Electrical:
 Voltage rating: 150 VAC max
 Current rating: 1.5 Amp max
 Contact Resistance: 30 mohms max
 Insulation resistance: 500 Mohms min
 Dielectric withstanding voltage: 1,000 VAC
 Temperature Rating:
 Operating temperature: -40°C to +70°C
 Environmental:
 Lead free, RoHS compliant.



UNLESS OTHERWISE SPECIFIED
 ALL DIMENSIONS ARE INCHES [MM]
 TOLERANCES: EXCEPT AS NOTED
 INCHES HOLES
 .X ± .10 Ø.X ± .10
 .XX ± .020 Ø.XX ± .015
 .XXX ± .015 Ø.XXX ± .010



APPROVALS		DATE
DRAWN	HR	9/27/18
CHECKED	RC2	9/27/18
APPROVED		

TITLE		
MODULAR TELEPHONE JACK, RJ45, EDGE HANG SMT TYPE		
SIZE	PART NO.	REV.
X	MTJ-88CPX1-RF3-SMT	-
REF:	S00297T	SCALE: NTS SHEET 1 OF 1