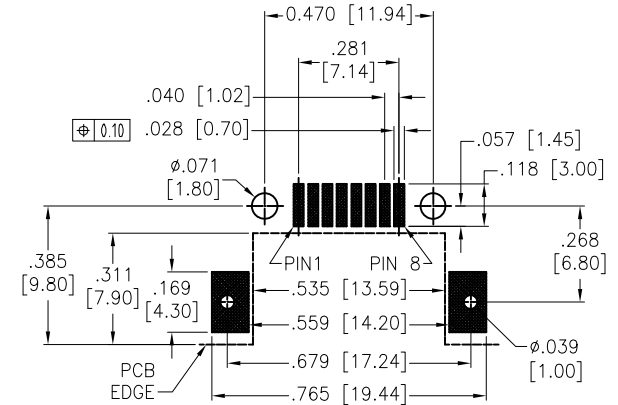
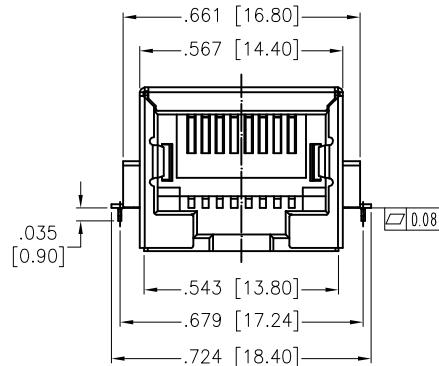
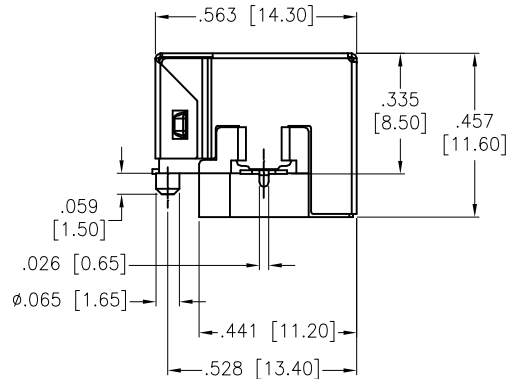
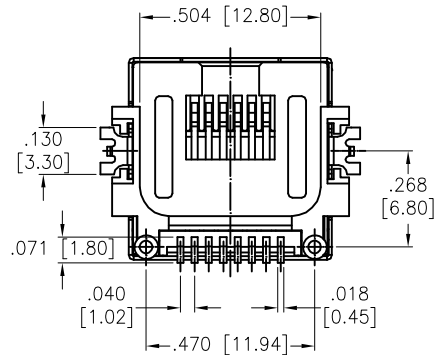


APPROVED: \_\_\_\_\_  
 DATE: \_\_\_\_\_ TITLE: \_\_\_\_\_

Rev	AWO #	Description	Date	Appr
-		RELEASED	6/11/18	
A		UPDATE SPEC. & DIM.	9/12/18	AY/YC
B		UPDATE SPEC.	2/17/22	LH/YC



RECOMMENDED PCB LAYOUT



**SPECIFICATIONS:**

Material:

Insulator: Hi-temp thermoplastic, rated UL 94V-0

Insulator color: Black

Contacts: Phosphor Bronze

Shield: Brass, Nickel plated overall,

$\Delta$  Tin plated on solder tails

Contacts Plating:

Round contact

Gold over Nickel underplate overall

Flat contact

Gold over Nickel underplate on contact area,

Tin over Nickel underplate on solder tails

Electrical:

Voltage rating: 150 VAC RMS

Current rating: 1.5 Amp

Contact Resistance: 20 mohms max.

Insulation resistance: 1,000 Mohms min. @ 500 VDC

Dielectric withstanding voltage:

Contact to Contact: 1,000 VDC or AC

Contact to Shield: 1,500 VDC or AC

Temperature Rating:

Operating temperature: -40°C to +85°C

Environmental:

Lead free, RoHS compliant.



PACKAGED ON TAPE & REEL

UNLESS OTHERWISE SPECIFIED ALL DIMENSIONS ARE INCHES [MM]. TOLERANCES: EXCEPT AS NOTED

INCHES		HOLES	
.X	$\pm .10$	$\phi$ .X	$\pm .10$
.XX	$\pm .020$	$\phi$ .XX	$\pm .015$
.XXX	$\pm .015$	$\phi$ .XXX	$\pm .010$

DRAWN	AY	6/11/18
CHECKED	YC	6/11/18
APPROVED		

THIS DRAWING CONTAINS INFORMATION THAT IS PROPRIETARY AND SHOULD NOT BE USED WITHOUT PRIOR WRITTEN PERMISSION FROM ADAM TECH



TITLE  
 MODULAR TELEPHONE JACK, RJ45,  
 EDGE HANG SMT TYPE

SIZE X	PART NO. MTJ-88CPX1-RF1-SMT-T/R	REV. B
REF: S00005C	SCALE: NTS	SHEET 1 OF 1