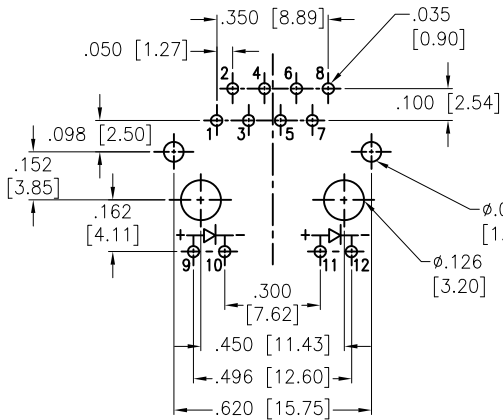
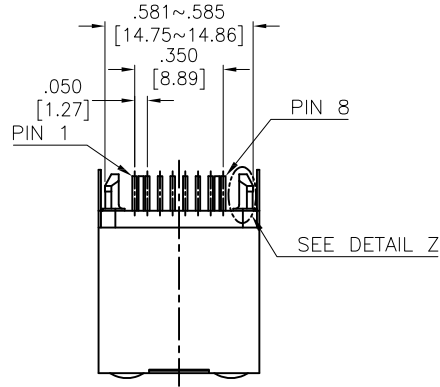
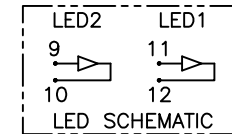
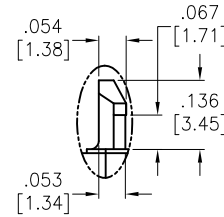
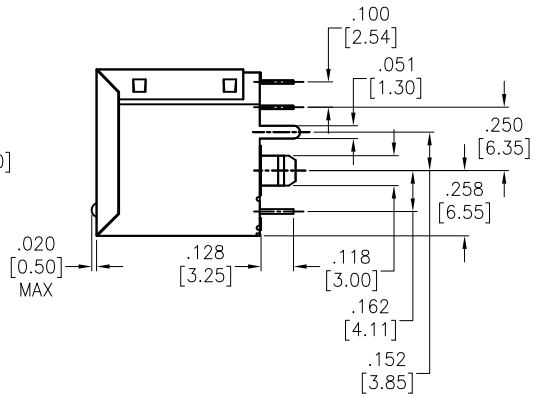
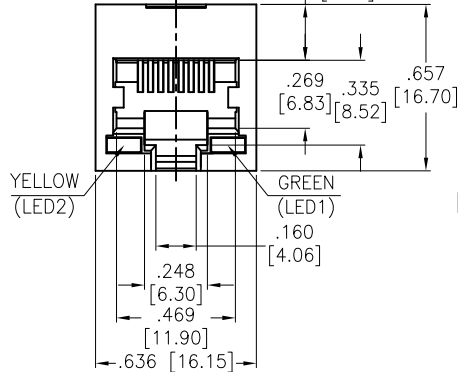


APPROVED: \_\_\_\_\_  
 DATE: \_\_\_\_\_ TITLE: \_\_\_\_\_

Rev	AWO #	Description	Date	Appr
-		RELEASED	12/24/12	
A		UPDATE DRAWING	6/13/22	WX/RL



RECOMMENDED PCB LAYOUT



**SPECIFICATIONS:**

Material:  
 Insulator: Hi-Temp Thermoplastic, rated UL 94V-0  
 Insulator color: Black  
 Contacts: Phosphor Bronze  
 Shield: Brass, nickel plated  
 LED Solder Tail: Steel

Plating:  
 XXu" Gold over Nickel underplate on contact area,  
 Gold Flash over Nickel underplate overall

Electrical:  
 Voltage Rating: 150 VAC max  
 Current rating: 1.5 Amps max  
 Contact Resistance: 20 mohms max.  
 Insulation resistance: 500 Mohms min @500 VDC  
 Dielectric withstanding voltage: 1500 Vrms for 1 minut  
 Temperature Rating:  
 Operating temperature: -40°C to +85°C  
 Environmental:  
 Lead free, RoHS compliant.



UNLESS OTHERWISE SPECIFIED ALL DIMENSIONS ARE INCHES [MM]. TOLERANCES: EXCEPT AS NOTED

INCHES		HOLES	
.X	± .10	ØX	± .10
.XX	± .020	ØXX	± .015
.XXX	± .015	ØXXX	± .010



DRAWN	AY	12/24/12
CHECKED	NP	12/24/12
APPROVED		

TITLE  
 MODULAR TELEPHONE JACK, 8P8C, VERTICAL  
 FULL SHIELD,W/LED1 GREEN, LED2 YELLOW

THIS DRAWING CONTAINS INFORMATION THAT IS PROPRIETARY AND SHOULD NOT BE USED WITHOUT PRIOR WRITTEN PERMISSION FROM ADAM TECH

SIZE	PART NO.	REV.
X	MTJ-88AX1-FSN-LH-HT	A
REF:	S00065T	SCALE: NTS SHEET 1 OF 1