

APPROVED: _____
 DATE: _____ TITLE: _____

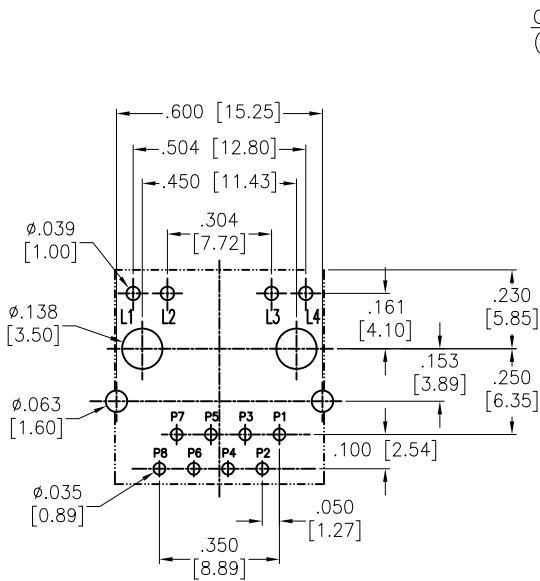
Rev	AWO #	Description	Date	Appr
-		RELEASED	9/30/22	

D

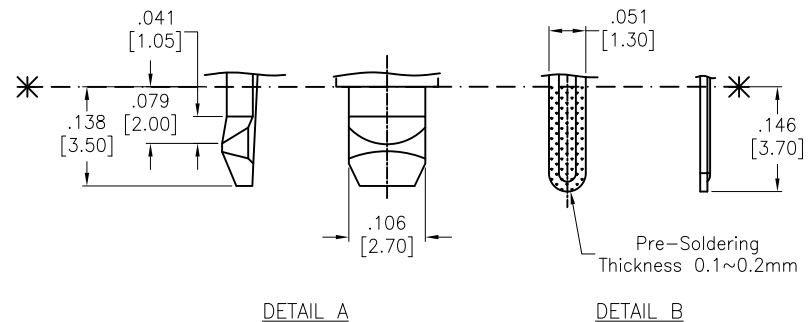
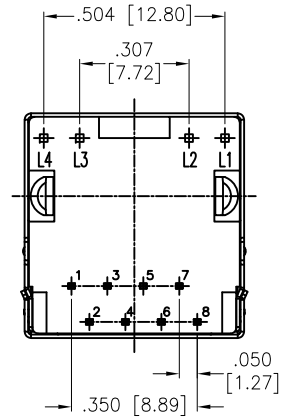
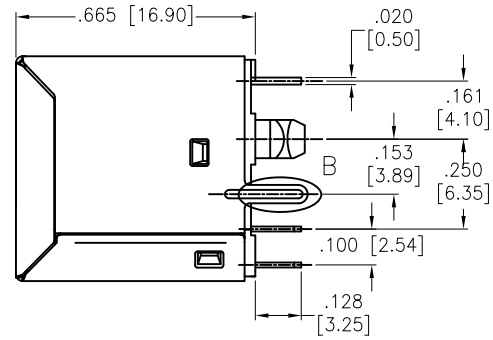
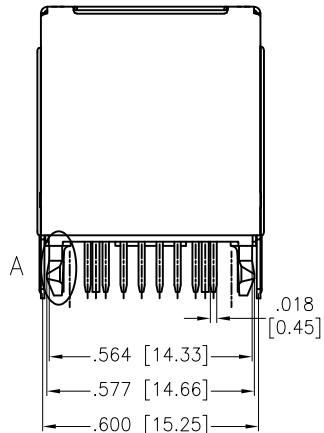
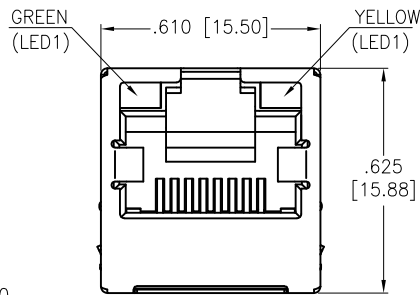
C

B

A



RECOMMENDED PCB LAYOUT



SPECIFICATIONS:
 Material:
 Housing: Thermoplastic, rated UL 94V-0, Color: Black
 Module case: Thermoplastic, rated UL 94V-0, Color: Black
 Contacts: Phosphor Bronze
 Shield: Stainless, Pre-Soldering
 Solder tail Terminal: Brass, Tin/Nickel overall
 Plating:
 Round contact
 Gold over Nickel underplate overall
 Flat contact
 Gold over Nickel underplate on contact area,
 Tin over Nickel underplate on solder tails
 Electrical:
 Voltage Rating: 125 VAC max
 Current rating: 1.25 Amps max
 Contact Resistance: 500 megohms min.
 Insulation resistance: 500 Mohms min @500 VDC
 Dielectric withstanding voltage: 1000VAC rms for 1 minut
 Temperature Rating:
 Operating temperature: -40°C to +85°C
 Environmental:
 Lead free, RoHS compliant.



UNLESS OTHERWISE SPECIFIED ALL DIMENSIONS ARE INCHES [MM]. TOLERANCES: EXCEPT AS NOTED		
INCHES	HOLES	
.X ± .10	ØX	± .10
.XX ± .020	ØXX	± .015
.XXX ± .015	ØXXX	± .010
DRAWN	JJ	9/30/22
CHECKED	OC	9/30/22
APPROVED		
THIS DRAWING CONTAINS INFORMATION THAT IS PROPRIETARY AND SHOULD NOT BE USED WITHOUT PRIOR WRITTEN PERMISSION FROM ADAM TECH		



TITLE
MODULAR TELEPHONE JACK, 8P8C, VERTICAL FULL SHIELD, W/LED1 GREEN, LED2 YELLOW

SIZE X	PART NO. MTJ-88AX1-FSN-LH-Y-B	REV. -
REF: S00101C	SCALE: NTS	SHEET 1 OF 2

6

5

4

3

2

1

D

C

B

A

6 5 4 3 2 1

APPROVED: _____
DATE: _____ TITLE: _____

Rev	AWO #	Description	Date	Appr
SEE SHT 1 OF 2 FOR REVISION				

Board side	Cable side
P1	J1
P2	J2
P3	J3
P4	J4
P5	J5
P6	J6
P7	J7
P8	J8

Emitting Color	λ_p (nm)	$V_f @ I_f=20mA$	$I_r @ V_r=5V$
Green	565	1.7V~2.6V	10.0A max.
Yellow	585	1.7V~2.6V	10.0A max.

ELECTRICAL :

- VOLTAGE RATING: 125 VAC
- CURRENT RATING: 1.25 AMP
- INSULATION RESISTANCE: 500 MEGAOHMS MIN
- DIELECTRIC STRENGTH: 1000 VAC RMS 60Hz, 1 MIN
- CATEGORY 5E CHARACTERISTIC:

Frequency MHz	Near-End Cross talk dB, Min	Return Loss dB, Min	Insertion loss dB, Max
1.0	65.0	30.0	0.10
4.0	65.0	30.0	0.10
8.0	64.9	30.0	0.10
10.0	63.0	30.0	0.10
16.0	58.9	30.0	0.20
20.0	57.0	30.0	0.20
25.0	55.0	30.0	0.20
31.25	53.0	30.0	0.20
62.5	47.1	24.1	0.30
100.0	43.0	20	0.40

UNLESS OTHERWISE SPECIFIED ALL DIMENSIONS ARE INCHES [MM]. TOLERANCES: EXCEPT AS NOTED

INCHES		HOLES	
.X	± .10	ØX	± .10
.XX	± .020	ØXX	± .015
.XXX	± .015	ØXXX	± .010

ADAM TECH

909 Rahway Avenue,
Union, NJ 07083
Phone: 908-687-5000
Fax: 908-687-5710

DRAWN	JJ	9/30/22
CHECKED	OC	9/30/22
APPROVED		

THIS DRAWING CONTAINS INFORMATION THAT IS PROPRIETARY AND SHOULD NOT BE USED WITHOUT PRIOR WRITTEN PERMISSION FROM ADAM TECH

TITLE MODULAR TELEPHONE JACK, 8P8C, VERTICAL FULL SHIELD, W/LED1 GREEN, LED2 YELLOW		
SIZE X	PART NO. MTJ-88AX1-FSN-LH-Y-B	REV. -
REF: S00101C	SCALE: NTS	SHEET 2 OF 2

6 5 4 3 2 1