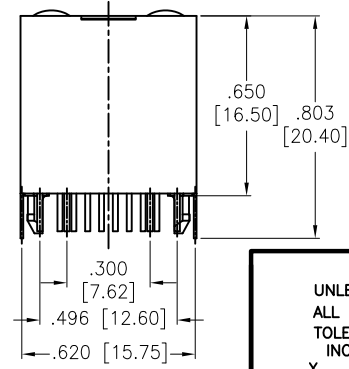
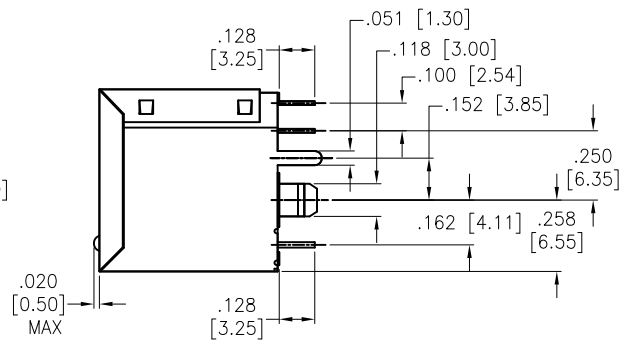
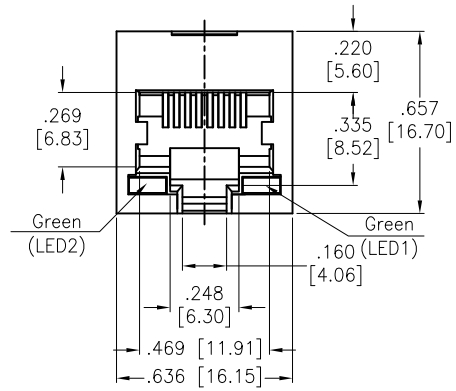
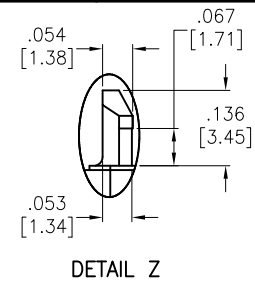
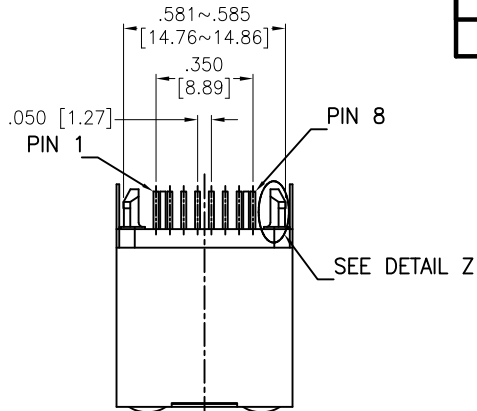
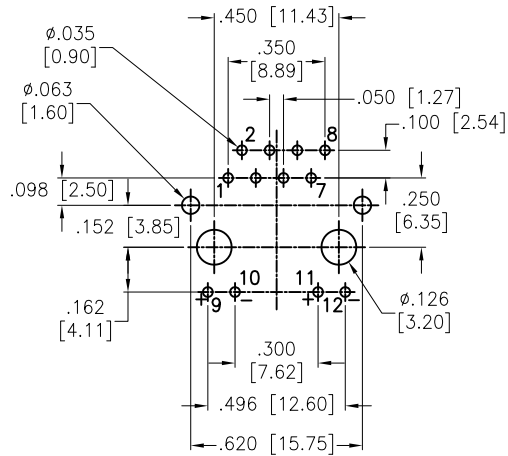
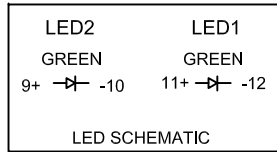


APPROVED: _____
 DATE: _____ TITLE: _____

Rev	AWO #	Description	Date	Appr
-		RELEASED	5/06/10	
A		REDRAWN	10/24/13	AY/LW
B		UPDATE DRAWING	6/21/18	AY/TY
C		UPDATE SPEC.	9/17/18	AY/TY



SPECIFICATIONS:

Material:
 Insulator: Nylon46, glass fiber, rated UL 94V-0
 Insulator color: Black
 Insert Housing: Nylon46, glass fiber, rated UL 94V-0, color: Black
 Contacts: Phosphor Bronze
 Shield: Brass, Nickel plated
 LED Solder Tail: Steel, Tin plated
 Plating:
 Gold over Nickel underplate on contact area
 Gold flash over Nickel underplate on solder tails
 Electrical:
 Operating voltage: 150 VAC max
 Current rating: 1.5 Amps max
 Contact resistance: 20 mohms max
 Insulation resistance: 500 Mohms min @ 500 VDC
 Dielectric withstanding voltage: 1500 Vrms for 1 minut
 Temperature Rating:
 Operating temperature: -40°C to +85°C
 Environmental:
 Lead free, RoHS compliant.



UNLESS OTHERWISE SPECIFIED
 ALL DIMENSIONS ARE INCHES [MM]
 TOLERANCES: EXCEPT AS NOTED

INCHES		HOLES	
.X	± .10	Ø.X	± .10
.XX	± .020	Ø.XX	± .015
.XXX	± .015	Ø.XXX	± .010



APPROVALS		DATE
DRAWN	DY	5/06/10
CHECKED		
APPROVED		

TITLE MODULAR TELEPHONE JACK, 8P8C, VERTICAL FULL SHIELD, W/LED1 GREEN, LED2 GREEN		
SIZE X	PART NO. MTJ-88AX1-FSN-LD-HT	REV. C
REF: S00065T	SCALE: NTS	SHEET 1 OF 1