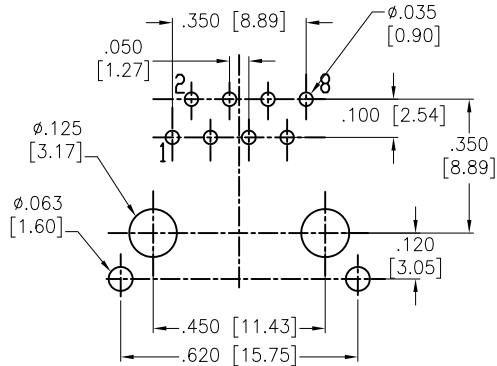
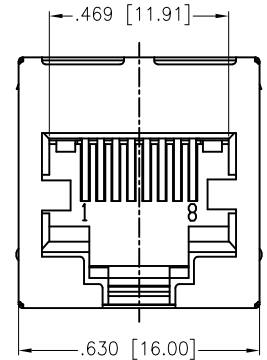
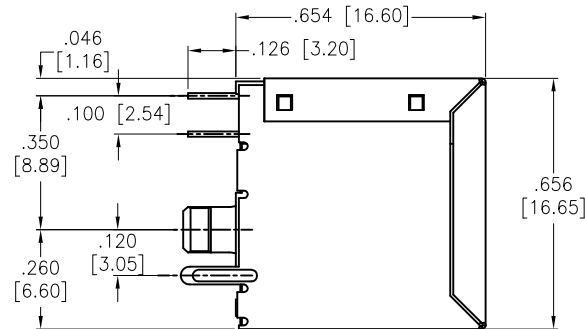
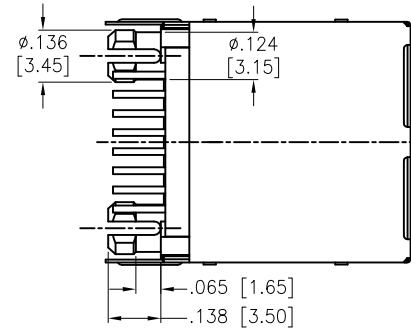
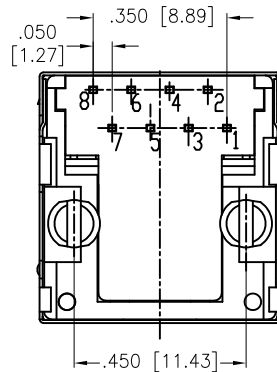


APPROVED: _____
 DATE: _____ TITLE: _____

Rev	AWO #	Description	Date	Appr
-		RELEASED	10/4/04	
A		REDRAWN	5/21/09	
B		REVISED SHAPE	3/15/12	
C		UPDATE DRAWING	6/6/16	AY/LW



RECOMMENDED PCB LAYOUT



SPECIFICATIONS:

Material:
 Insulator: PBT, rated UL 94V-0
 Insulator color: Black
 Contacts: Phosphor Bronze
 Shield: Brass, Nickel plated
 Contacts Plating:
 Round contact
 Gold over Nickel underplate overall
 Flat contact
 Gold over Nickel underplate on contact area,
 Tin over Nickel underplate on solder tails
 (See chart for thickness)

Electrical:
 Voltage rating: 150 VAC rms
 Current rating: 1.5 Amps
 Contact resistance: 20 mohms max
 Insulation resistance: 1000 Mohms min @ 500 VDC
 Dielectric withstanding voltage:
 Contact to Contact: 1,000 VDC or AC Peak for 1 minute
 Contact to Screen and Test panel: 1,500 VDC or AC Peak for 1 minute
 Temperature Rating:
 Operating temperature: -40°C to +85°C
 Environmental:
 Lead free, RoHS compliant.



X	PLATING
0	15 μ m Gold
1	30 μ m Gold
2	50 μ m Gold

UNLESS OTHERWISE SPECIFIED ALL DIMENSIONS ARE INCHES [MM] TOLERANCES: EXCEPT AS NOTED			
INCHES HOLES			
.X	$\pm .10$	ϕ .X	$\pm .10$
.XX	$\pm .020$	ϕ .XX	$\pm .015$
.XXX	$\pm .015$	ϕ .XXX	$\pm .010$
APPROVALS		DATE	
DRAWN	SS	10/4/04	
CHECKED			
APPROVED			
TITLE		MODULAR TELEPHONE JACK, 8P8C VERTICAL	
SIZE	PART NO.	REV.	
X	MTJ-88AX1-FSE	C	
REF: S00005C	SCALE: NTS	SHEET 1 OF 1	